



PTI's PM1225-7 series axial AC Fan is an ideal solution for vending machines needing efficient cooling in a tight space

Axial AC fans are used extensively in vending machine manufacturing to provide effective cooling where enclosure space is limited. However, they must provide a good balance between air flow, noise, and fan life. Pelonis Technologies' PM1225-7 series AC fan combines high cooling efficiency, low noise, and long life, in a slim design.

PM1225-7 series features/benefits:

- 4.72" square x 0.98" slim design
- 120V or 230V
- 44-67 CFM high air flow cooling
- 23-37dBA low noise operation
- High quality dual ball bearings increase fan life
- Operates at high temperatures
- Terminal or lead wire connections

Fan guards, filter kits, and power cords can be added as optional accessories:

Optional Fan Accessories			
			
WFG-120 Wire Finger Guard	PFG-120 Plastic Fan Guard	PFK-120 Fan Filter Kit	C-180-24P 24" Power Cord with plug (also available in sizes up to 6 ft.)

PTI's other axial AC fans are also well suited for vending machine applications:

Model Series	Description	Air Flow	Noise	Life
PM1238-7	120x120x38mm (4.72x4.72x1.5in)	83-108 CFM	36-44 dBA	50K hrs. (ball bearing)
PM9225-7	92x92x92mm (3.62x3.62x0.98in)	21-30 CFM	17-22 dBA	50K hrs. (ball bearing)
PM8038-7	80x80x38mm (3.15x3.15x1.5in)	15-26 CFM	18-30 dBA	50K hrs. (ball bearing)
PM8025-7	80x80x25mm (3.15x3.15x0.98in)	14-19 CFM	18-23 dBA	50K hrs. (ball bearing)

(see back for PM1225-7 series detailed specifications)

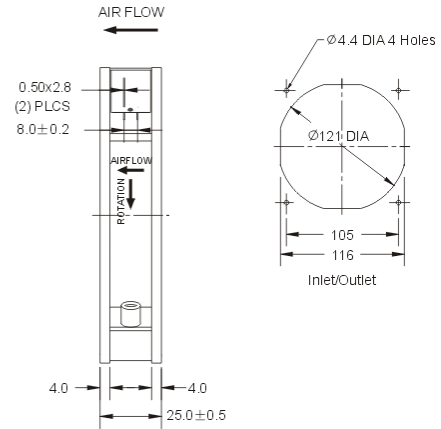
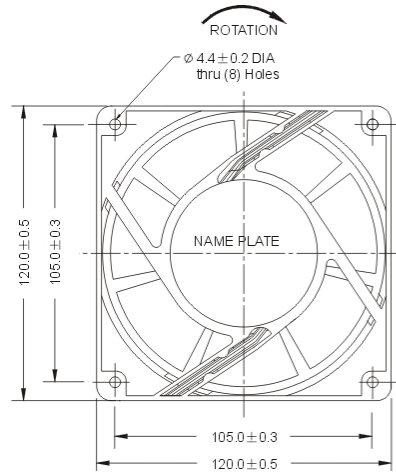
The PM1225-7 series AC fan provides efficient cooling in a slim design

The PM1225-7 series AC fan combines high air flow, low noise, and long life

PM1225-7 Series

Size: 120x120x25mm (4.72x4.72x0.98in)

AC Fan



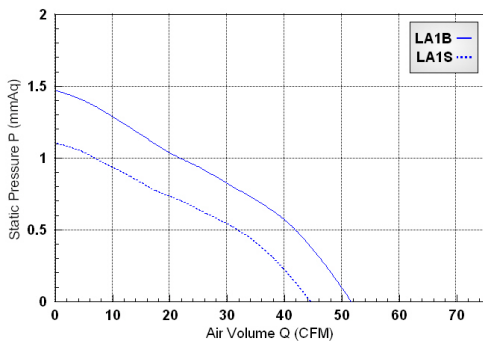
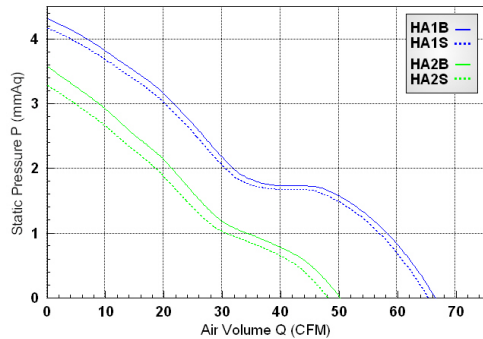
Dimensions are in millimeters. () are in inches.

PART NO. *T=Terminal **(L) = Lead Wire	BEARINGS	(VOLTAGE/Hz)	POWER (W)	CURRENT (mA)	SPEED (RPM)	AIR FLOW (Q) (CFM)	(m ³ /min)	PRESSURE (P) (mmAq)	PRESSURE (P) (inH ₂ O)	NOISE (dBA)
PM1225HA1BAT(L)-7	Ball	120/60	10.3	120	2850	66.5	1.88	4.3	0.17	37.4
PM1225HA1SAT(L)-7	Sleeve	120/60	10.6	120	2800	65.3	1.85	4.2	0.16	28.8
PM1225LA1BAT(L)-7	Ball	120/60	5.8	60	2200	51.6	1.46	1.5	0.06	28.8
PM1225LA1SAT(L)-7	Sleeve	120/60	6.5	65	1900	44.5	1.26	1.1	0.04	23.5
PM1225HA2BAT(L)-7	Ball	230/50	9.3	50	2400	50.2	1.42	3.6	0.14	29.5
PM1225HA2SAT(L)-7	Sleeve	230/50	9.3	50	2300	48.1	1.36	3.3	0.13	28.9

*Specify T when designating part number with TERMINAL connections (ex: PM12251HA1BAT-7).

** Specify L when designating part number with LEAD WIRES (ex: PM12251HA1BAL-7).

Performance Curves



Specifications subject to change without notice.

Electrical Specifications

Dielectric Strength: 1500VAC for 1 second/0.5mA between terminal (wire) and frame.

Insulation Resistance: ≥100MΩ (COLD) between terminal (wire) and frame.
≥20MΩ (HOT) between terminal (wire) and frame.

Motor: Shaded Pole Induction

Protection: Impedance Protected

Mechanical Specifications

Airflow Direction: Air Over Struts

Frame: Aluminum Alloy

Impeller: UL94V-0 Reinforced Plastic

Lead Wires (L): 22AWG, Black

Weight: 365g (12.9oz)

Terminals: 3mm (0.12in)

Life Expectancy: Ball: 50,000 hrs. @20°C; Sleeve: 30,000 hrs. @20°C

Environmental Specifications

Operating Temperature: -20 to +85°C Ordinary humidity

Storage Temperature: -30 to +120°C Ordinary humidity

Acoustical: Anechoic chamber at free air. Measured at 1 meter from the fan and perpendicular to the direction of the airflow.

97 Great Valley Pkwy., Malvern, PA 19355 USA
Tel: 888-546-0524 • Fax: 610-647-0319
email: sales@pelonistech.com • www.pelonistech.com

