



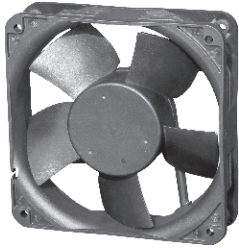
1232-5

120 x 120 x 32mm (4.72 x 4.72 x 1.26in)

DC Fans

www.pelonistech.com

HIGH PERFORMANCE • HIGH EFFICIENCY



FRAME: Thermoplastic, PBT (30%), UL94-V0
IMPELLER: Thermoplastic PBT (GF 15%), UL94-V0
BEARING SYSTEM: Ball Bearing or Sleeve Bearing
OPERATING LIFE: Ball: 50,000 hrs; Sleeve: 30,000 hrs
OPERATING TEMP: -10°C to +70°C @35-85% RH

LEAD WIRE: UL 1007, AWG 24/240mm, Red(+), Black(-)
PROTECTION: Locked rotor protected for minimum 72 hours



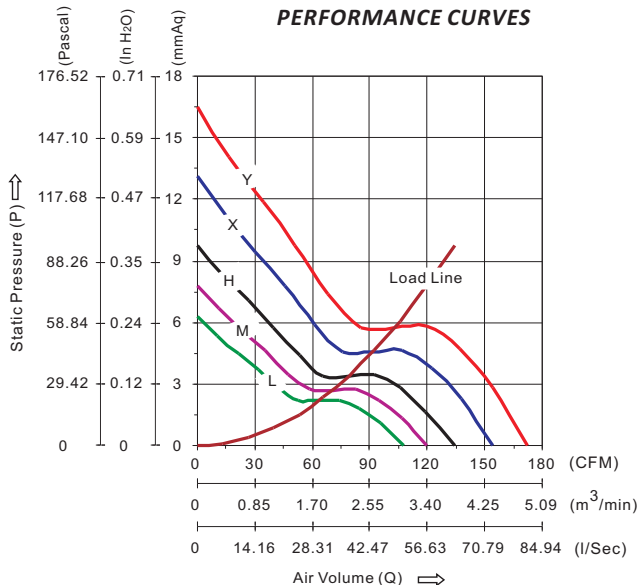
- RoHS
- UL
- cUL
- CE

Available Features															
1a IR	1b AS	1c MS	2a FG	2b RD	2c Rdb	2d LD	3 SG/PWM	4 OV	5a TPWM	5b RPWM	6 CL	7 CS	8a VPWM	8b IPWM	8c PPWM
●	●		●	●	●	●		●			●	●			

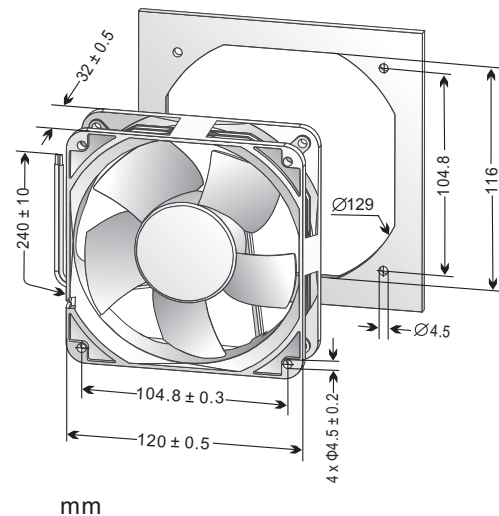
To add a desired feature to a fan, replace the Part Number suffix "x" with the available feature listed. (e.g. to add feature "2a" to fan Part Number G1232H12BPLBx-5, change the Part Number to G1232H12BPLB2a-5).

Part Number	Voltage (VDC)	Current (A)	Power (Watts)	Speed (RPM)	Air Flow (Q)		Pressure (P)		Noise (dBA)	Unit Weight (QTY/CTN)
					(CFM)	(m³/min)	(mmAq)	(in H₂O)		
G1232Y12BPLBx-5	12 (07~14)	1.150	13.80	4200	172.22	4.877	16.49	0.649	54.43	280g (40pcs)
G1232X12BPLBx-5		0.820	9.84	3750	154.41	4.372	13.13	0.517	51.63	
G1232H12BPLBx-5		0.550	6.60	3250	134.21	3.800	9.77	0.385	47.92	
G1232M12BPLBx-5		0.390	4.68	2900	119.87	3.394	7.78	0.306	44.90	
G1232L12BPLBx-5		0.280	3.36	2600	107.49	3.044	6.27	0.247	42.07	
G1232Y24BPLBx-5	24 (15~27)	0.503	12.07	4200	172.22	4.877	16.49	0.649	54.43	280g (40pcs)
G1232X24BPLBx-5		0.358	8.59	3750	154.41	4.372	13.13	0.517	51.63	
G1232H24BPLBx-5		0.233	5.59	3250	134.21	3.800	9.77	0.385	47.92	
G1232M24BPLBx-5		0.165	3.96	2900	119.87	3.394	7.78	0.306	44.90	
G1232L24BPLBx-5		0.119	2.86	2600	107.49	3.044	6.27	0.247	42.07	
G1232Y48BPLBx-5	48 (30~57)	0.288	13.82	4200	172.22	4.877	16.49	0.649	54.43	280g (40pcs)
G1232X48BPLBx-5		0.205	9.84	3750	154.41	4.372	13.13	0.517	51.63	
G1232H48BPLBx-5		0.133	6.38	3250	134.21	3.800	9.77	0.385	47.92	
G1232M48BPLBx-5		0.095	4.56	2900	119.87	3.394	7.78	0.306	44.90	
G1232L48BPLBx-5		0.068	3.26	2600	107.49	3.044	6.27	0.247	42.07	

PERFORMANCE CURVES



DIMENSIONAL DRAWING



- All fans listed refer to double ball bearing fans; sleeve bearing fans may consume about 10% more power for the same speed.
- Noise measurements are taken with a background noise of 16.8 dBA.
- Please see "Available Features Index" for a summary explanation of each feature
- Specifications are subject to change without notice.



sales@pelonistech.com • T888.546.0524 • F610.647.0319