



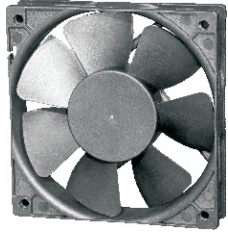
# 1225-7

120 x 120 x 25mm (4.72 x 4.72 x 0.98in)

# DC Fans

www.pelonistechnologies.com

HIGH PERFORMANCE • HIGH EFFICIENCY



- RoHS
- UL
- cUL
- CE

**FRAME:** Thermoplastic, PBT (30%), UL94-V0  
**IMPELLER:** Thermoplastic PBT (GF 15%), UL94-V0  
**BEARING SYSTEM:** Ball Bearing or Sleeve Bearing  
**OPERATING LIFE:** Ball: 50,000 hrs; Sleeve: 30,000 hrs  
**OPERATING TEMP:** -10°C to +70°C @35-85% RH

**LEAD WIRE:** UL 1007, AWG 24/240mm, Red(+), Black(-)  
**PROTECTION:** Locked rotor protected for minimum 72 hours



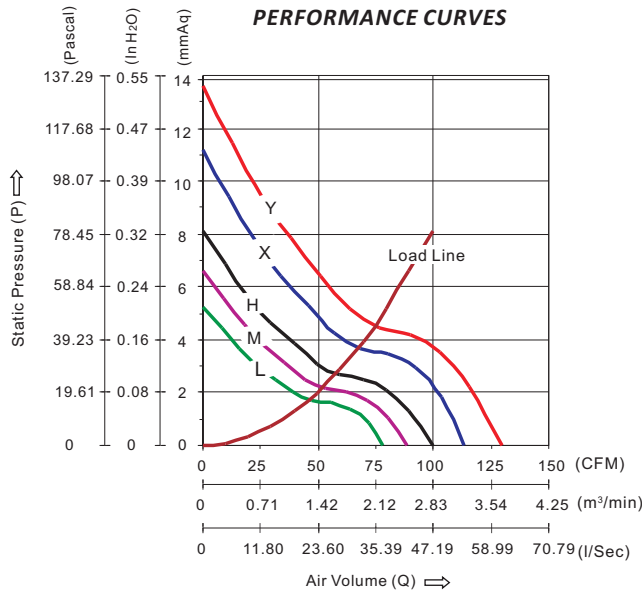
### Available Features

1a IR	1b AS	1c MS	2a FG	2b RD	2c Rdb	2d LD	3 SG/PWM	4 OV	5a TPWM	5b RPWM	6 CL	7 CS	8a VPWM	8b IPWM	8c PPWM
●	●		●	●	●	●		●			●	●			

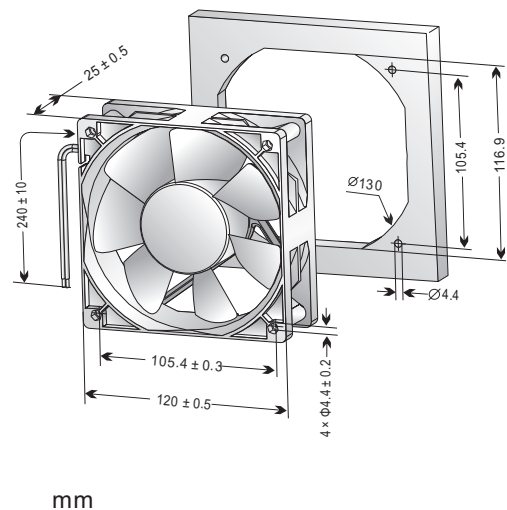
To add a desired feature to a fan, replace the Part Number suffix "x" with the available feature listed. (e.g. to add feature "2a" to fan Part Number G1225H12BPLBx-7, change the Part Number to G1225H12BPLB2a-7).

Part Number	Voltage (VDC)	Current (A)	Power (Watts)	Speed (RPM)	Air Flow (Q)		Pressure (P)		Noise (dBA)	Unit Weight (QTY/CTN)
					(CFM)	(m³/min)	(mmAq)	(in H₂O)		
G1225Y12BPLBx-7	12 (07~14)	0.622	7.46	4200	129.41	3.664	13.58	0.534	50.97	205.8g (40pcs)
G1225X12BPLBx-7		0.449	5.39	3750	113.47	3.213	11.17	0.440	48.45	
G1225H12BPLBx-7		0.301	3.61	3250	99.47	2.817	8.11	0.319	43.02	
G1225M12BPLBx-7		0.231	2.77	2900	88.15	2.496	6.59	0.259	40.09	
G1225L12BPLBx-7		0.158	1.90	2600	78.16	2.213	5.25	0.207	37.19	
G1225Y24BPLBx-7	24 (15~27)	0.304	7.30	4200	129.41	3.664	13.58	0.534	50.97	205.8g (40pcs)
G1225X24BPLBx-7		0.207	4.97	3750	113.47	3.213	11.17	0.440	48.45	
G1225H24BPLBx-7		0.140	3.37	3250	99.47	2.817	8.11	0.319	43.02	
G1225M24BPLBx-7		0.095	2.27	2900	88.15	2.496	6.59	0.259	40.09	
G1225L24BPLBx-7		0.074	1.77	2600	78.16	2.213	5.25	0.207	37.19	
G1225Y48BPLBx-7	48 (30~57)	0.172	8.27	4200	129.41	3.664	13.58	0.534	50.97	205.8g (40pcs)
G1225X48BPLBx-7		0.124	5.96	3750	113.47	3.213	11.17	0.440	48.45	
G1225H48BPLBx-7		0.080	3.82	3250	99.47	2.817	8.11	0.319	43.02	
G1225M48BPLBx-7		0.064	3.06	2900	88.15	2.496	6.59	0.259	40.09	
G1225L48BPLBx-7		0.043	2.05	2600	78.16	2.213	5.25	0.207	37.19	

### PERFORMANCE CURVES



### DIMENSIONAL DRAWING



- All fans listed refer to double ball bearing fans; sleeve bearing fans may consume about 10% more power for the same speed.
- Noise measurements are taken with a background noise of 16.8 dBA.
- Please see "Available Features Index" for a summary explanation of each feature
- Specifications are subject to change without notice.



sales@pelonistech.com • T888.546.0524 • F610.647.0319