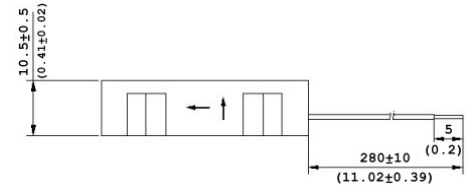
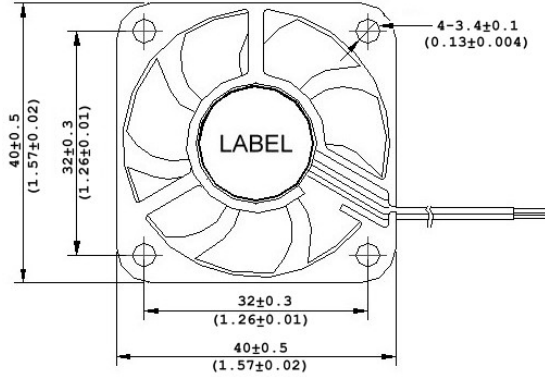


4010 Standard & High Efficiency Series

40x40x10mm (1.57x1.57x0.39in)

DC FAN



Dimensions are in millimeters. () are in inches.

| PART NO. | BEARINGS ●=Ball ○=Sleeve | VOLTAGE (V) | RANGE (VDC) | CURRENT (A) | POWER (W) | SPEED (RPM) | AIR FLOW (Q) (m ³ /min) | AIR FLOW (Q) (CFM) | PRESSURE (P) (mmAq) | PRESSURE (P) (inH ₂ O) | * FEATURES (x) | NOISE (dBA) |
|---------------|--------------------------------|----------------|----------------|----------------|--------------|----------------|---------------------------------------|-----------------------|------------------------|--------------------------------------|-------------------|----------------|
| C4010H05BPLBx | ● | 5 | 4~6 | 0.140 | 0.70 | 6600 | 0.16 | 5.57 | 3.88 | 0.15 | 1,2a,2b | 27.0 |
| C4010H05SPLPx | ○ | 5 | 4~6 | 0.140 | 0.70 | 6600 | 0.16 | 5.57 | 3.88 | 0.15 | 1,2a,2b | 27.0 |
| C4010M05BPLBx | ● | 5 | 4~6 | 0.110 | 0.55 | 5500 | 0.13 | 4.64 | 2.69 | 0.11 | 1,2a,2b | 23.7 |
| C4010M05SPLPx | ○ | 5 | 4~6 | 0.110 | 0.55 | 5500 | 0.13 | 4.64 | 2.69 | 0.11 | 1,2a,2b | 23.7 |
| C4010L05BPLBx | ● | 5 | 4~6 | 0.070 | 0.35 | 4400 | 0.11 | 3.71 | 1.72 | 0.07 | 1,2a,2b | 18.6 |
| C4010L05SPLPx | ○ | 5 | 4~6 | 0.070 | 0.35 | 4400 | 0.11 | 3.71 | 1.72 | 0.07 | 1,2a,2b | 18.6 |
| C4010H12BPLBx | ● | 12 | 7~14 | 0.080 | 0.96 | 6600 | 0.16 | 5.57 | 3.88 | 0.15 | 1,2a,2b | 27.0 |
| C4010H12SPLPx | ○ | 12 | 7~14 | 0.080 | 0.96 | 6600 | 0.16 | 5.57 | 3.88 | 0.15 | 1,2a,2b | 27.0 |
| C4010M12BPLBx | ● | 12 | 7~14 | 0.052 | 0.62 | 5500 | 0.13 | 4.64 | 2.69 | 0.11 | 1,2a,2b | 23.7 |
| C4010M12SPLPx | ○ | 12 | 7~14 | 0.052 | 0.62 | 5500 | 0.13 | 4.64 | 2.69 | 0.11 | 1,2a,2b | 23.7 |
| C4010L12BPLBx | ● | 12 | 7~14 | 0.040 | 0.48 | 4400 | 0.11 | 3.71 | 1.72 | 0.07 | 1,2a,2b | 18.6 |
| C4010L12SPLPx | ○ | 12 | 7~14 | 0.040 | 0.48 | 4400 | 0.11 | 3.71 | 1.72 | 0.07 | 1,2a,2b | 18.6 |
| D4010H24BPLBx | ● | 24 | 12~27 | 0.069 | 1.65 | 9000 | 0.22 | 7.60 | 7.21 | 0.28 | 1,2a,2b | 32.8 |
| D4010H24SPLPx | ○ | 24 | 12~27 | 0.069 | 1.65 | 9000 | 0.22 | 7.60 | 7.21 | 0.28 | 1,2a,2b | 32.8 |
| D4010M24BPLBx | ● | 24 | 12~27 | 0.052 | 1.24 | 8000 | 0.19 | 6.76 | 5.70 | 0.22 | 1,2a,2b | 30.2 |
| D4010M24SPLPx | ○ | 24 | 12~27 | 0.052 | 1.24 | 8000 | 0.19 | 6.76 | 5.70 | 0.22 | 1,2a,2b | 30.2 |
| D4010L24BPLBx | ● | 24 | 12~27 | 0.038 | 0.90 | 7000 | 0.17 | 5.91 | 4.36 | 0.17 | 1,2a,2b | 27.3 |
| D4010L24SPLPx | ○ | 24 | 12~27 | 0.038 | 0.90 | 7000 | 0.17 | 5.91 | 4.36 | 0.17 | 1,2a,2b | 27.3 |

* Features: 1=AS - Auto-Start (standard), 2a=FG - Tachometer, 2b=RD - Rotation Detection

When ordering a part number, substitute suffix x with required feature (Ex: C4010H12BPLBx with feature 1 = C4010H12BPLB1. Ex: C4010H12BPLBx with feature 2a = C4010H12BPLB2a)

| Performance Curves | Electrical Specifications |
|--------------------|---|
| | Dielectric Strength: 500VAC (1mA/1min) or 600VAC (2 sec) |
| | Insulation Resistance: >10MΩ |
| | Motor: Brushless DC with permanent magnet |
| | Tolerances: +/-10% on rated current and speed |
| | Frame to lead wires. At 500VDC between frame and (+/-) lead wires. |
| | Power consumption of sleeve bearing may be up to 10% higher than ball bearing. |
| | Mechanical Specifications |
| | Airflow Direction: Air over struts |
| | Frame: Thermoplastic PBT (GF 30%), Class UL94V-0 |
| | Impeller: Thermoplastic PBT (GF 15%), Class UL94V-0 |
| | Lead Wires (L): UL1007, 26AWG/280mm; Red(+); Black (-) |
| | Weight: 16.2g (0.57oz) |
| | Rotation: Counterclockwise viewed from impeller |
| | Life Expectancy: Ball: 50,000 hrs. @25°C T _a (Sleeve: 30,000 hrs. @25°C T _a) |
| | Environmental Specifications |
| | Operating Temperature: -10 to +70°C |
| | Storage Temperature: -40 to +80°C |
| | Acoustical: Anechoic chamber at free air. |
| | At 35-85% relative humidity At 35-85% relative humidity Measured at 1 meter from the fan and perpendicular to the direction of the airflow. |
| | Optional Features |
| | 1 Auto-Start (AS) - standard |
| | 2a Tachometer (FG) |
| | 2b Rotation Detection (RD) |
| | Protects fan if obstructed by an external object. |
| | Informs user of fan running speed. |
| | Detects whether fan is running or has stopped. |
| | No Wire |
| | Yellow Wire |
| | Grey Wire |

Specifications subject to change without notice.