

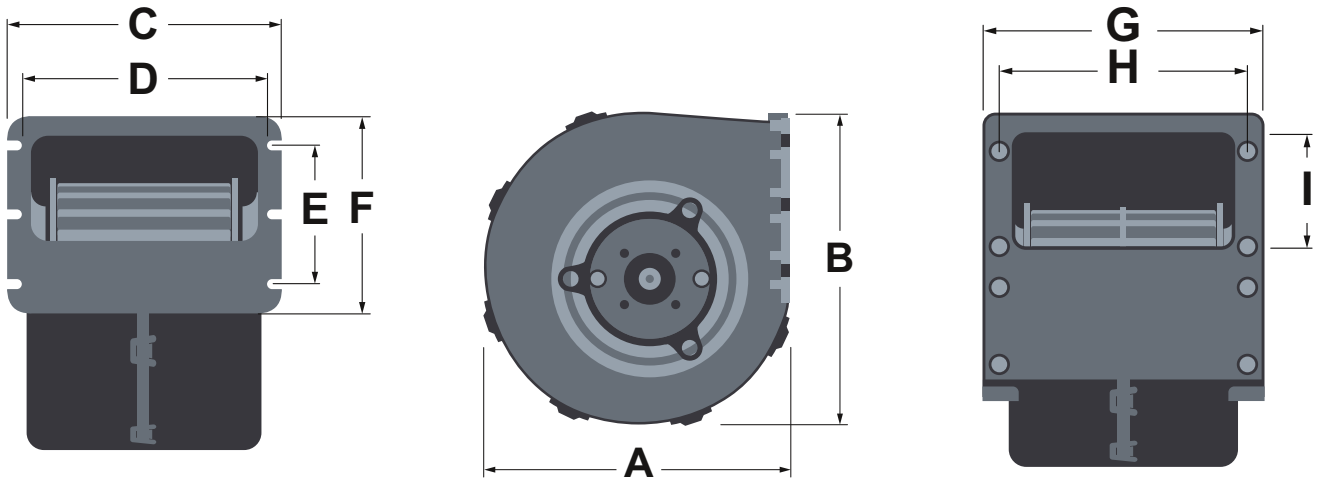


RA12B008/B009/B010 RA24B008/B009/B010

BRUSHED DC CENTRIFUGAL BLOWER SERIES SINGLE WHEEL DESIGN

12V, 24V
 147~383 CFM (250~650 m³/h)
 Dual Ball Bearings
 Scroll Housing: PA66 + 30% GF, UL94-V0
 Impeller: PA66 + 30% GF, UL94-V0
 Operating Temperature: -40°C ~ +70°C
 Operating Life: 6,000 hours
 IP20 Dust & Moisture Protection
 RoHS

Model Number	Voltage (V)	Part Number	Current (A)	No. Speeds	Airflow (Q)		CROSS REFERENCE PART NUMBER	
					(CFM)	(m ³ /h)		
RA12B009-B01-3SP-01	12	02.12.21B	≤ 11	3	383	650	SPAL	009-A70-74D
RA12B008-B01-3SP-01	12	02.12.22B	≤ 4.5	3	147	250	SPAL	008-A100-93D
RA24B009-B01-3SP-01	24	02.24.21B	≤ 11	3	383	650	SPAL	009-B70-74D
RA24B008-B01-3SP-01	24	02.24.22B	≤ 3	3	147	250	SPAL	008-B100-93D
RA12B010-B01-3SP-01	24	02.12.23B	≤ 19	3	294	500	SPAL	010-A70-74D
RA24B010-B01-3SP-01	24	02.24.23B	≤ 11	3	294	500	SPAL	010-B70-74D / 010-B29-70D



Model Number	Part Number	DIMENSIONS mm (in)								
		A	B	C	D	E	F	G	H	I
RA12B009-B01-3SP-01	02.12.21B	145 (5.71)	156 (6.14)	141 (5.55)	129 (5.08)	70 (2.76)	100 (3.94)	-	-	-
RA12B008-B01-3SP-01	02.12.22B	113.5 (4.47)	128 (5.04)	119 (4.69)	112 (4.41)	60 (2.36)	77 (3.03)	-	-	-
RA24B009-B01-3SP-01	02.24.21B	145 (5.71)	156 (6.14)	141 (5.55)	129 (5.08)	70 (2.76)	100 (3.94)	-	-	-
RA24B008-B01-3SP-01	02.24.22B	113.5 (4.47)	128 (5.04)	119 (4.69)	112 (4.41)	60 (2.36)	77 (3.03)	-	-	-
RA12B010-B01-3SP-01	02.12.23B	-	-	-	-	-	-	117.5 (4.63)	104 (4.09)	54 (2.13)
RA24B010-B01-3SP-01	02.24.23B	-	-	-	-	-	-	117.5 (4.63)	104 (4.09)	54 (2.13)