



### GENERAL SPECIFICATIONS

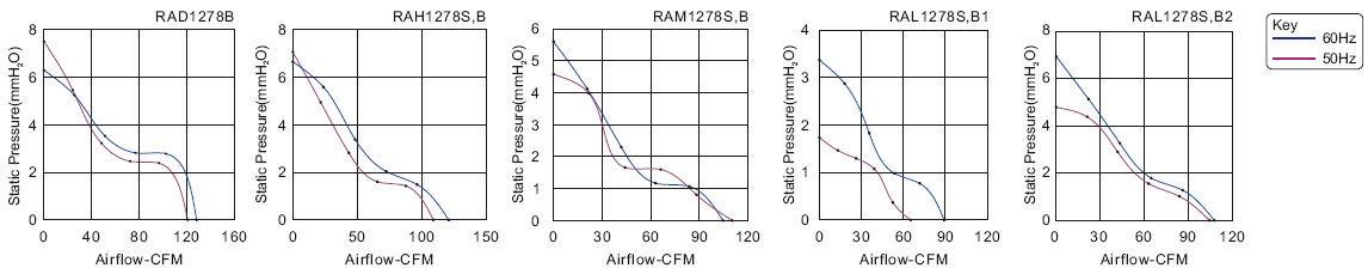
- Frame:** Aluminum Alloy
- Impeller:** PBT UL 94V-0 Reinforced Plastic
- Operating Life:** Ball: 50,000 hrs. @25°C T<sub>A</sub>  
Sleeve: 30,000 hrs. @25°C T<sub>A</sub>
- Operating Temp:** -10°C to +60°C @35-85% relative humidity
- Lead Wires:** UL 1007, 22AWG
- Weight:** 540g (19oz)

### FEATURES

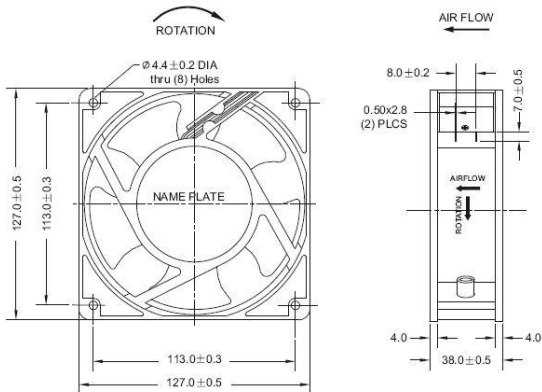
- Ball or sleeve bearings
- Shaded pole induction motor

PART NO.	BEARINGS ●=Ball ○=Sleeve	VOLTAGE (V)	FREQ (Hz)	CURRENT (A)	POWER (W)	SPEED (RPM)	AIR FLOW (Q) (m <sup>3</sup> /min)	AIR FLOW (Q) (CFM)	PRESSURE (P) (mmAq)	PRESSURE (P) (inH <sub>2</sub> O)	NOISE (dBA)
RAD1278B2	●	100~125	50/60	0.34/0.30	23/20	2700/3000	3.3/3.7	117/130	6.8/6.5	0.27/0.26	44/46
RAH1278B2	●	100~125	50/60	0.34/0.30	23/20	2500/2800	3.1/3.4	108/121	6.8/6.5	0.27/0.26	44/46
RAH1278S2	○	100~125	50/60	0.34/0.30	23/20	2500/2800	3.1/3.4	108/121	6.8/6.5	0.27/0.26	43/45
RAM1278B2	●	100~125	50/60	0.29/0.26	20/19	2350/2550	2.9/3.1	104/110	5.6/4.6	0.22/0.18	41/43
RAM1278S2	○	100~125	50/60	0.29/0.26	20/19	2350/2550	2.9/3.1	104/110	5.6/4.6	0.22/0.18	41/43
RAL1278B2	●	100~125	50/60	0.28/0.25	19/17	2400/2350	3.0/2.9	107/105	6.0/4.2	0.24/0.17	41/41
RAL1278S2	○	100~125	50/60	0.28/0.25	19/17	2400/2350	3.0/2.9	107/105	6.0/4.2	0.24/0.17	41/41
RAD1278B1	●	220~240	50/60	0.17/0.14	24/21	2700/3000	3.3/3.7	117/130	6.8/6.5	0.27/0.26	44/46
RAH1278B1	●	220~240	50/60	0.17/0.14	24/21	2500/2800	3.1/3.4	108/121	6.8/6.5	0.27/0.26	44/46
RAH1278S1	○	220~240	50/60	0.17/0.14	24/21	2500/2800	3.1/3.4	108/121	6.8/6.5	0.27/0.26	43/45
RAM1278B1	●	220~240	50/60	0.12/0.10	20/19	2350/2550	2.9/3.1	104/110	5.6/4.6	0.22/0.18	41/43
RAM1278S1	○	220~240	50/60	0.12/0.10	20/19	2350/2550	2.9/3.1	104/110	5.6/4.6	0.22/0.18	41/43
RAL1278B1	●	220~240	50/60	0.08/0.07	12/11	2050/1450	2.5/1.8	90/65	3.4/1.7	0.13/0.07	39/30
RAL1278S1	○	220~240	50/60	0.08/0.07	12/11	2050/1450	2.5/1.8	90/65	3.4/1.7	0.13/0.07	39/30

### Performance Curves



### Dimensions



### Applications

Appliances, computer equipment, HVAC products, commercial and industrial applications.



T 1.888.546.0524 • F 1.610.647.0319  
email: sales@pelonistech.com • www.pelonistech.com

