



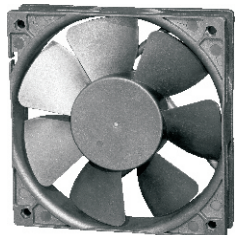
1225-7

120 x 120 x 25mm (4.72 x 4.72 x 0.98in)

DC Fans

www.pelonistech.com

HIGH CURRENT • HIGH AIRFLOW



FRAME: Thermoplastic, PBT (30%), UL94-V0
IMPELLER: Thermoplastic PBT (GF 15%), UL94-V0
BEARING SYSTEM: Ball Bearing or Sleeve Bearing
OPERATING LIFE: Ball: 50,000 hrs; Sleeve: 30,000 hrs
OPERATING TEMP: -10°C to +70°C @35-85% RH

LEAD WIRE: UL 1007, AWG 24/240mm, Red(+), Black(-)
PROTECTION: Locked rotor protected for minimum 72 hours

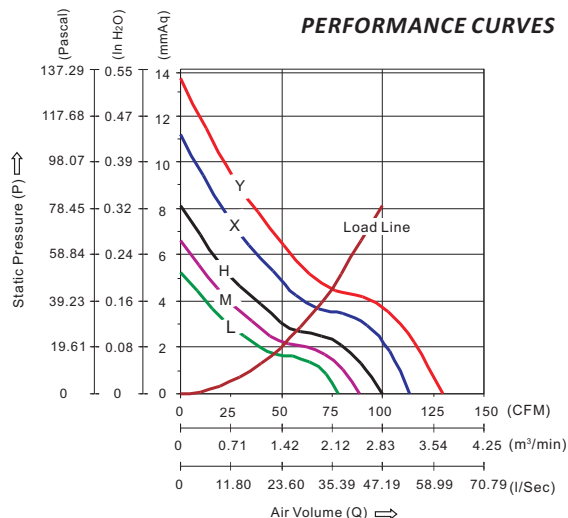


- RoHS
- UL
- cUL
- CE

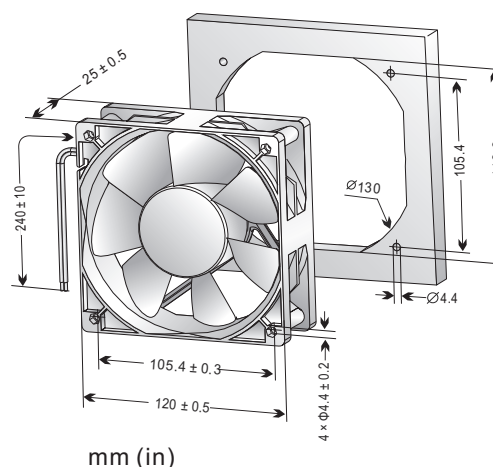
Available Features															
1a	1b	1c	2a	2b	2c	2d	3	4	5a	5b	6	7	8a	8b	8c
IR	AS	MS	FG	RD	Rdb	LD	SG/PWM	OV	TPWM	RPWM	CL	CS	VPWM	IPWM	PPWM
●	●		●	●	●	●		●	●	●	●	●	●	●	●

To add a desired feature to a fan, replace the Part Number suffix "x" with the available feature listed. (e.g. to add feature "2a" to fan Part Number R1225H24BPLBx-7, change the Part Number to R1225H24BPLB2a-7).

Part Number	Voltage (VDC)	Current (A)	Power (Watts)	Speed (RPM)	Air Flow (Q)		Pressure (P)		Noise (dBA)	Unit Weight (QTY/CTN)
					(CFM)	(m³/min)	(mmAq)	(in H ₂ O)		
R1225H05BPLBx-7	05 (04~06)	0.760	3.80	3250	99.47	2.817	8.11	0.319	43.02	212g (40pcs)
R1225M05BPLBx-7		0.603	3.02	2900	88.15	2.496	6.59	0.259	40.09	
R1225L05BPLBx-7		0.360	1.80	2600	78.16	2.213	5.25	0.207	37.19	
R1225Y12BPLBx-7	12 (07~14)	0.720	8.64	4200	129.41	3.664	13.58	0.534	50.97	212g (40pcs)
R1225X12BPLBx-7		0.542	6.50	3750	113.47	3.213	11.17	0.440	48.45	
R1225H12BPLBx-7		0.340	4.08	3250	99.47	2.817	8.11	0.319	43.02	
R1225M12BPLBx-7		0.250	3.00	2900	88.15	2.496	6.59	0.259	40.09	
R1225L12BPLBx-7		0.181	2.17	2600	78.16	2.213	5.25	0.207	37.19	
R1225Y24BPLBx-7	24 (15~27)	0.330	7.92	4200	129.41	3.664	13.58	0.534	50.97	212g (40pcs)
R1225X24BPLBx-7		0.260	6.24	3750	113.47	3.213	11.17	0.440	48.45	
R1225H24BPLBx-7		0.160	3.84	3250	99.47	2.817	8.11	0.319	43.02	
R1225M24BPLBx-7		0.125	2.99	2900	88.15	2.496	6.59	0.259	40.09	
R1225L24BPLBx-7		0.100	2.40	2600	78.16	2.213	5.25	0.207	37.19	
R1225Y48BPLBx-7	48 (30~57)	0.190	9.12	4200	129.41	3.664	13.58	0.534	50.97	212g (40pcs)
R1225X48BPLBx-7		0.130	6.24	3750	113.47	3.213	11.17	0.440	48.45	
R1225H48BPLBx-7		0.120	5.76	3250	99.47	2.817	8.11	0.319	43.02	
R1225M48BPLBx-7		0.085	4.08	2900	88.15	2.496	6.59	0.259	40.09	
R1225L48BPLBx-7		0.059	2.81	2600	78.16	2.213	5.25	0.207	37.19	



DIMENSIONAL DRAWING



- All fans listed refer to double ball bearing fans; sleeve bearing fans may consume about 10% more power for the same speed.
- Noise measurements are taken with a background noise of 16.8 dBA.
- Please see "Available Features Index" for a summary explanation of each feature
- Specifications are subject to change without notice.

PELONIS TECHNOLOGIES, INC.
 sales@pelonistech.com • T888.546.0524 • F610.647.0319

1225-7