

PTEE-P SERIES

ABS Inline Duct Blowers

PTEE-P series ABS Inline Duct Blowers have high airflow performance and include two-layer sound absorbent cotton and sound wave holes to reduce noise.

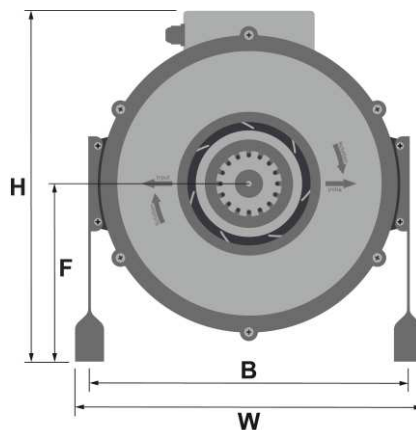
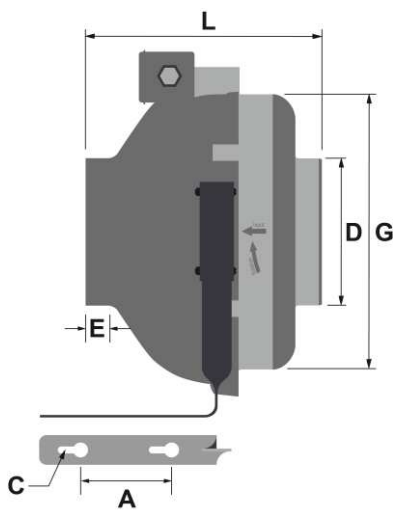
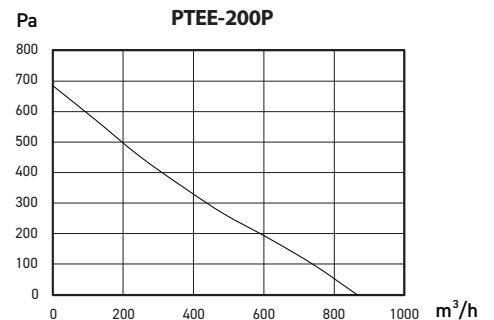
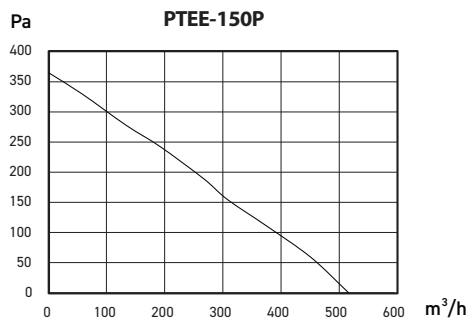
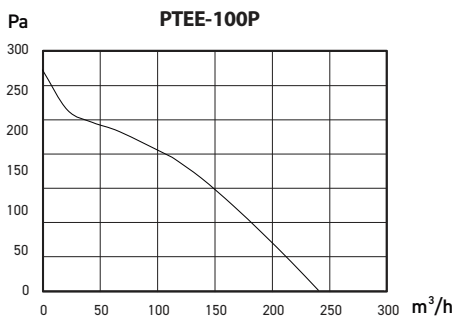
Each backward-curved centrifugal impeller is made of PA66(FR) material and the external housing and connection box are made of ABS(FR). The fans can operate from -20°C to 60°C and include thermal protection and dual ball bearings for long-life operation up to 50,000 hours.

The external rotor motor has a low temperature rise and is equipped with automatic reset thermal overload protection.

Insulation Class:F.

Protection Class:IP67.

Model	Voltage (V)	Frequency (Hz)	Current (A)	Power (W)	Speed (RPM)	Airflow (CFM)	Airflow (m³/h)	Pressure (inH ₂ O)	Pressure (mmAq)	Pressure (Pa)
PTEE-100P	220~240V	50	0.30	45	2700	150	255	1.41	0.75	352
PTEE-150P	220~240V	50	0.40	65	2450	314	533	1.58	1.3	392
PTEE-200P	220~240V	50	0.70	130	2550	523	888	2.42	1.3	602



mm (in)

MODEL	A	B	C	ΦD	E	F	ΦG	L	W	H
PTEE-100P	92 (3.62)	302 (11.89)	6 (0.24)	97 (3.82)	25 (0.98)	166 (6.54)	242.5 (9.55)	330 (12.99)	252.5 (9.94)	332 (13.07)
PTEE-150P	92 (3.62)	302 (11.89)	6 (0.24)	147 (5.79)	25 (0.98)	188 (7.40)	276.0 (10.87)	371 (14.61)	238.8 (9.40)	367 (14.45)
PTEE-200P	92 (3.62)	302 (11.89)	6 (0.24)	198 (7.80)	25 (0.98)	220 (8.66)	334.5 (13.17)	435 (17.13)	258.6 (10.18)	438 (17.24)