

PTDD SERIES

Silent Mixed-Flow Inline Duct Fans

PTDD series Silent Mixed-Flow Inline Duct Fans provide efficient cooling with a low profile outer design that results in quiet operation.

Each fan includes two-layer sound absorption material and uniquely positioned sound wave holes that reduce unwanted noise. The double diameter sealed connection is leak-proof and shock resistant.

PTDD series fans also include three-speed operation (low, medium, high) a timer, temperature sensor, and humidity sensor.

The fans can operate from -20°C to 60°C and also include dual ball bearings for long-life operation up to 50,000 hours.

Protection Class:IP44.



Low profile fan body



High performance hydromechanical fan blades



Ultra-quiet design with two-layer sound absorption and sound wave holes



Unique design joint facilitates easy installation and includes a double diameter sealed connection



Internal back draft damper designed to prevent entry of unwanted objects



Easy installation and maintenance

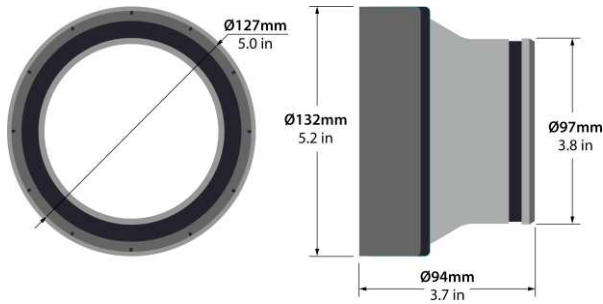
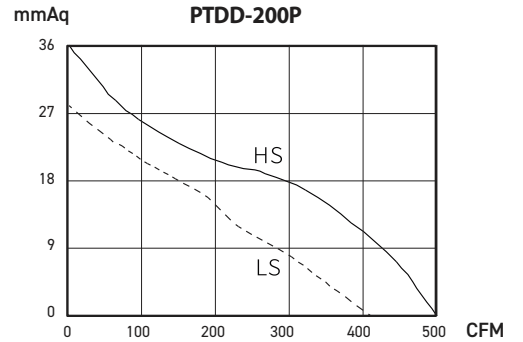
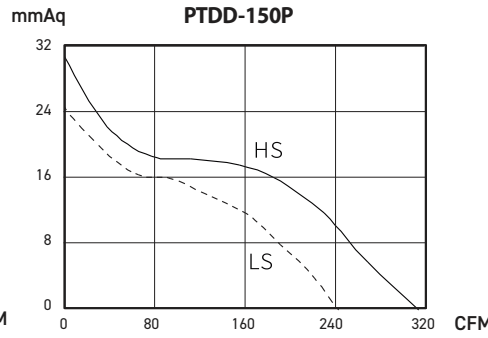
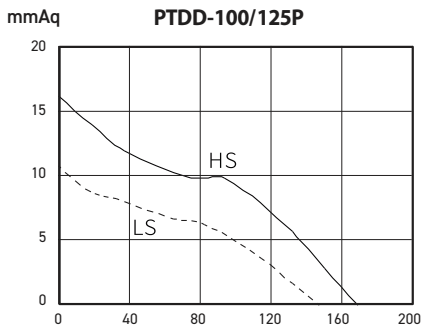
Model	Speed	Voltage/Freq (V/Hz)	Current (A)	Power (W)	Speed (RPM)	Airflow (CFM)	Airflow (m ³ /h)	Pressure (inH ₂ O)	Pressure (mmAq)	Pressure (Pa)	Noise (dBA)	Weight (kg)
PTDD-100/125P	H	220~240V 50Hz	0.14	33	2250	167	284	0.64	16.26	159.26	25	2.8
	L		0.13	28	1850	146	248	0.43	10.92	107.00	22	
PTDD-150P	H	100~120V 60Hz	0.30	32	2250	167	284	0.64	16.26	159.26	25	
	L		0.26	27	1850	146	248	0.43	10.92	107.00	22	
PTDD-150P	H	220~240V 50Hz	0.25	50	2250	312	530	1.21	30.73	301.09	31	4.0
	L		0.20	43	1850	241	410	0.96	24.38	238.89	26	
PTDD-200P	H	100~120V 60Hz	0.55	62	2250	312	530	1.21	30.73	301.09	31	
	L		0.47	51	1850	241	410	0.96	24.38	238.89	26	
PTDD-200P	H	220~240V 50Hz	0.57	128	2450	494	840	1.41	35.81	350.86	35	5.9
	L		0.52	123	1950	407	690	1.10	27.94	273.72	29	
PTDD-200P	H	100~120V 60Hz	1.41	162	2450	494	840	1.41	35.81	350.86	35	
	L		1.27	146	1950	407	690	1.10	27.94	273.72	29	

PTDD SERIES

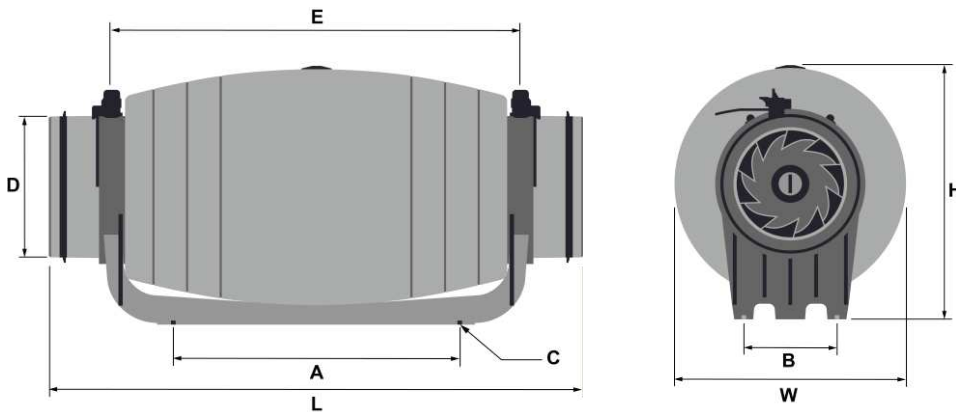
Silent Mixed-Flow Inline Duct Fans

HS: High Speed
LS: Low Speed

Dry air at 20°C and 760 mmHg
Performance data in accordance with
ISO 5801 and AMCA 210-99 Standards



PTDD-100/125P (adaptor)



MODEL	A	B	C	D	E	L	W	H
PTDD-100/125P	248 (9.76)	82 (3.23)	4-5.5	97/123 (3.82/4.84)	330 (13.00)	580/462 (22.83/18.19)	205 (8.07)	225 (8.89)
PTDD-150P	251 (9.88)	95 (3.74)	4-5.3	149/158 (5.87/6.22)	352 (13.86)	488 (19.21)	221 (8.70)	244 (9.61)
PTDD-200P	339 (13.35)	128 (5.04)	4-5.6	198 (7.80)	436 (17.17)	567 (22.32)	262 (10.32)	301 (11.85)