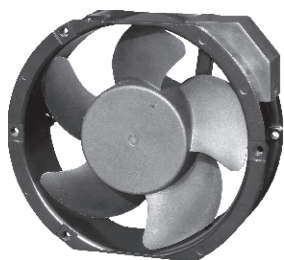


HIGH PERFORMANCE • HIGH EFFICIENCY • ADVANCED PWM



- RoHS
- UL
- cUL
- CE

FRAME: Thermoplastic, PBT (30%), UL94-V0
IMPELLER: Thermoplastic PBT (GF 15%), UL94-V0
BEARING SYSTEM: Ball Bearing or Sleeve Bearing
OPERATING LIFE: Ball: 50,000 hrs; Sleeve: 30,000 hrs
OPERATING TEMP: -10°C to +70°C @35-85% RH

LEAD WIRE: UL 1007, AWG 24/210mm, Red(+), Black(-)
PROTECTION: Locked rotor protected for minimum 72 hours

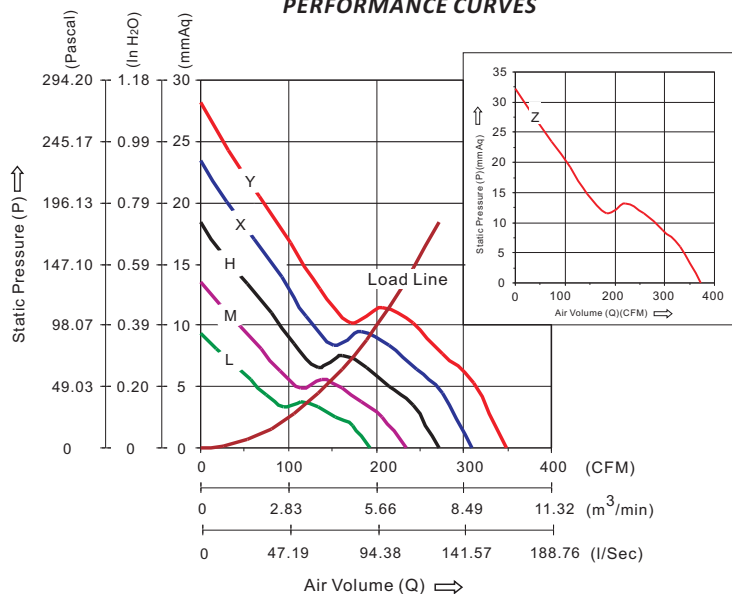


Available Features															
1a	1b	1c	2a	2b	2c	2d	3	4	5a	5b	6	7	8a	8b	8c
IR	AS	MS	FG	RD	Rdb	LD	SG/PWM	OV	TPWM	RPWM	CL	CS	VPWM	IPWM	PPWM
●	●		●	●	●	●		●	●	●	●	●	●	●	●

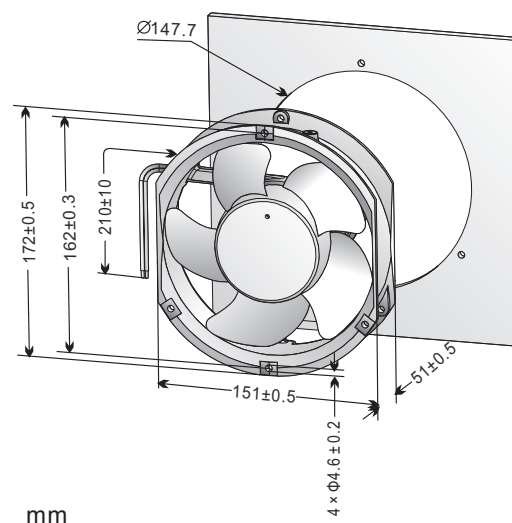
To add a desired feature to a fan, replace the Part Number suffix "x" with the available feature listed. (e.g. to add feature "2a" to fan Part Number P1751H12BALBx-5, change the Part Number to P1751H12BALB2a-5).

Part Number	Voltage (VDC)	Current (A)	Power (Watts)	Speed (RPM)	Air Flow (Q)		Pressure (P)		Noise (dBA)	Unit Weight (QTY/CTN)
					(CFM)	(m ³ /min)	(mmAq)	(in H ₂ O)		
P1751H12BALBx-5	12 (07~14)	1.508	18.09	3500	271.76	7.695	18.41	0.725	56.15	748g (24pcs)
P1751M12BALBx-5		0.949	11.39	3000	233.78	6.620	13.56	0.534	52.24	
P1751L12BALBx-5		0.554	6.65	2500	194.05	5.495	9.39	0.370	47.44	
P1751Z24BALBx-5	24 (15~27)	1.776	42.62	4800	372.75	10.555	32.30	1.272	65.63	748g (24pcs)
P1751Y24BALBx-5		1.493	35.82	4500	349.41	9.894	28.18	1.109	63.18	
P1751X24BALBx-5		1.034	24.82	4000	309.69	8.770	23.42	0.922	60.52	
P1751H24BALBx-5	24 (15~27)	0.712	17.08	3500	271.76	7.695	18.41	0.725	56.15	748g (24pcs)
P1751M24BALBx-5		0.448	10.76	3000	233.78	6.620	13.56	0.534	52.24	
P1751L24BALBx-5		0.259	6.22	2500	194.05	5.495	9.39	0.370	47.44	
P1751Z48BALBx-5	48 (30~57)	1.360	65.28	5300	409.00	11.583	38.71	1.524	68.80	748g (24pcs)
P1751Y48BALBx-5		0.743	35.67	4500	349.41	9.894	28.18	1.109	63.18	
P1751X48BALBx-5		0.526	25.25	4000	309.69	8.770	23.42	0.922	60.52	
P1751H48BALBx-5	48 (30~57)	0.389	18.67	3500	271.76	7.695	18.41	0.725	56.15	748g (24pcs)
P1751M48BALBx-5		0.244	11.73	3000	233.78	6.620	13.56	0.534	52.24	
P1751L48BALBx-5		0.142	6.79	2500	194.05	5.795	9.39	0.370	47.44	

PERFORMANCE CURVES



DIMENSIONAL DRAWING



- All fans listed refer to double ball bearing fans; sleeve bearing fans may consume about 10% more power for the same speed.
- Noise measurements are taken with a background noise of 16.8 dBA.
- Please see "Available Features Index" for a summary explanation of each feature
- Specifications are subject to change without notice.