



9238-7

92 x 92 x 38mm (3.62 x 3.62 x 1.50in)

DC Fans

www.pelonistechnologies.com

EXTRA HIGH PERFORMANCE • EFFICIENCY • ADVANCED PWM



FRAME: Thermoplastic, PBT (30%), UL94-V0
IMPELLER: Thermoplastic PBT (GF 15%), UL94-V0
BEARING SYSTEM: Ball Bearing
OPERATING LIFE: Ball: 50,000 hrs
OPERATING TEMP: -10°C to +70°C @35-85% RH

LEAD WIRE: UL 1007, AWG 24/250mm, Red(+), Black(-)
PROTECTION: Locked rotor protected for minimum 72 hours



- RoHS
- UL
- cUL
- CE

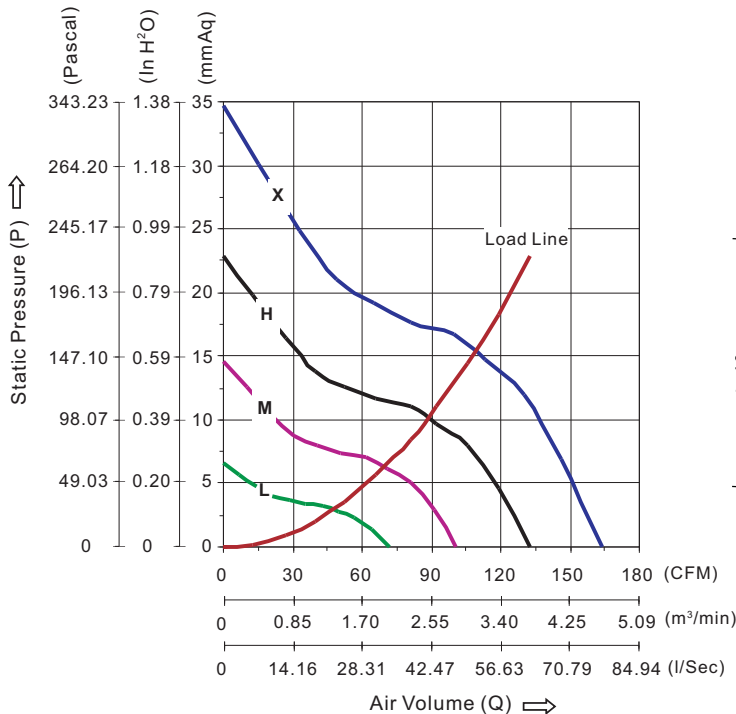
Available Features

1a IR	1b AS	1c MS	2a FG	2b RD	2c Rdb	2d LD	3 SG/PWM	4 OV	5a TPWM	5b RPWM	6 CL	7 CS	8a VPWM	8b IPWM	8c PPWM
●	●		●	●	●	●	●		●	●	●	●	●	●	●

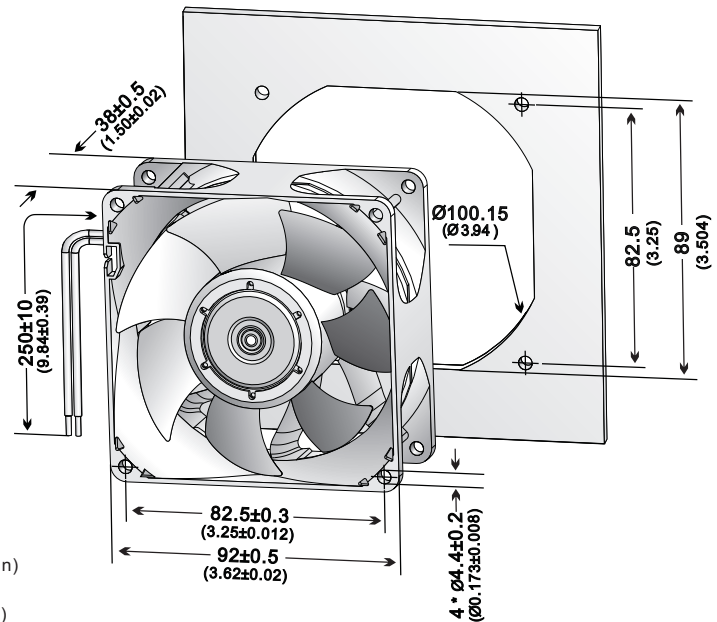
To add a desired feature to a fan, replace the Part Number suffix "x" with the available feature listed.
 (e.g. to add feature "2a" to fan Part Number K9238H12BPLBx-7, change the Part Number to K9238H12BPLB2a-7).

Part Number	Voltage (VDC)	Current (A)	Power (Watts)	Speed (RPM)	Air Flow (Q)		Pressure (P)		Noise (dBA)	Unit Weight (QTY/CTN)
					(CFM)	(m³/min)	(mmAq)	(in H ₂ O)		
K9238H12BPLBx-7	12 (07~14)	1.420	17.04	6500	132.94	3.766	22.88	0.900	59.10	223g (60pcs)
K9238M12BPLBx-7		0.630	7.56	5000	102.26	2.897	13.54	0.533	52.20	
K9238L12BPLBx-7		0.250	3.00	3500	71.58	2.030	6.63	0.261	43.00	
K9238X24BPLBx-7	24 (15~27)	1.200	28.80	8000	163.61	4.635	34.65	1.364	64.50	223g (60pcs)
K9238H24BPLBx-7		0.620	14.88	6500	132.94	3.766	22.88	0.900	59.10	
K9238M24BPLBx-7		0.330	7.92	5000	102.26	2.897	13.54	0.533	52.20	
K9238L24BPLBx-7		0.130	3.12	3500	71.58	2.030	6.63	0.261	43.00	
K9238X48BPLBx-7	48 (30~57)	0.600	28.80	8000	163.61	4.635	34.65	1.364	64.50	223g (60pcs)
K9238H48BPLBx-7		0.300	14.40	6500	132.94	3.766	22.88	0.900	59.10	
K9238M48BPLBx-7		0.150	7.20	5000	102.26	2.897	13.54	0.533	52.20	
K9238L48BPLBx-7		0.080	3.84	3500	71.58	2.030	6.63	0.261	43.00	

PERFORMANCE CURVES



DIMENSIONAL DRAWING



- All fans listed refer to double ball bearing fans; sleeve bearing fans may consume about 10% more power for the same speed.
- Noise measurements are taken with a background noise of 16.8 dBA.
- Please see "Available Features Index" for a summary explanation of each feature
- Specifications are subject to change without notice.



sales@pelonistech.com • T888.546.0524 • F610.647.0319