

AC Single Inlet

FD150 Series Centrifugal Fan

150mm (5.91in)



GENERAL SPECIFICATIONS

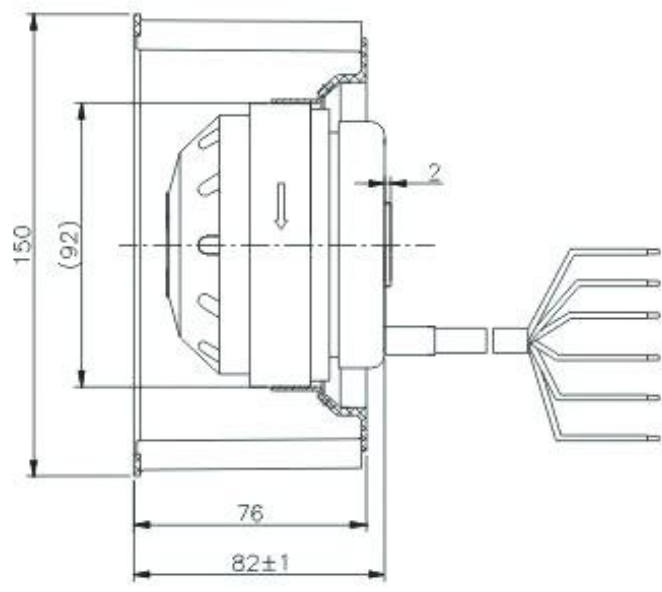
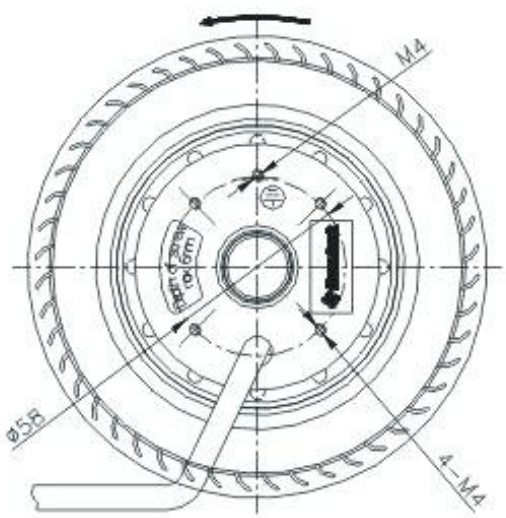
- Impeller:** PA66
- Life:** 40,000 hours
- IP Rating:** IP44
- Operating Temp:** -25°C~+40°C
- Bearings:** Ball

FEATURES

- High efficiency design
- Lubricated maintenance-free ball bearings
- Vibration-free operation
- Precision balanced for superior performance
- Compact and rugged construction

| model | voltage (V) | freq (Hz) | current (A) | power (W) | speed (RPM) | airflow (m ³ /h) | airflow (CFM) | pressure (Pa) | capacitor μF | insulation class |
|--------|-------------|-----------|-------------|-----------|-------------|-----------------------------|---------------|---------------|--------------|------------------|
| FD150B | 230 | 50 | 0.47 | 102 | 2400 | / | / | / | 3/450 | F |
| FD150C | 115 | 60 | 1.1 | 118 | 2400 | / | / | / | 12/250 | F |

Dimensions (mm)



Applications

HVAC, cabinet cooling, medical equipment, military applications, air filtration, semiconductors, commercial and industrial cooling.



T 1.888.546.0524 • F 1.610.647.0319
 email: sales@pelonistech.com • www.pelonistechnologies.com

