

AC Forward Curve Single Inlet

FD120 Series Centrifugal Fan

120mm (4.72in)



GENERAL SPECIFICATIONS

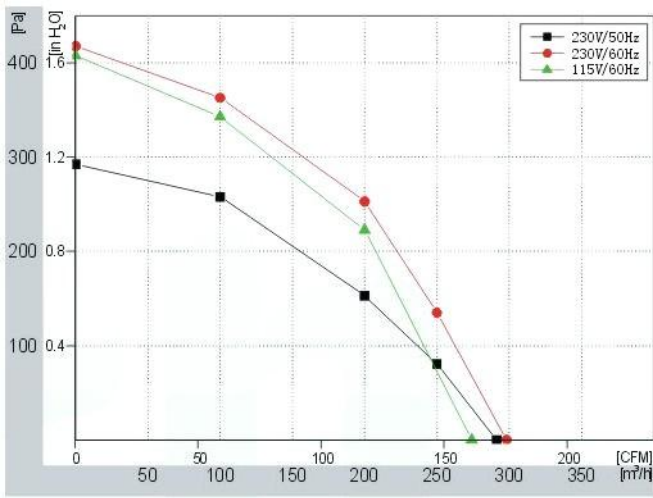
- Impeller:** Metal
- Scroll housing
- Life:** 40,000 hours
- IP Rating:** IP44
- Operating Temp:** -25°C~+40°C
- Bearings:** Ball

FEATURES

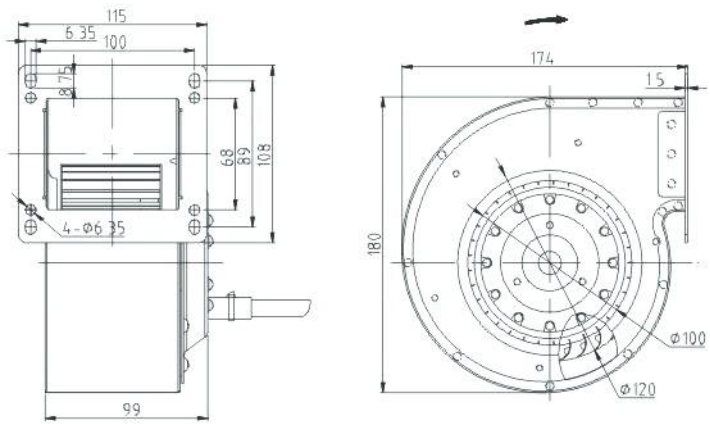
- High efficiency inlet design
- Lubricated maintenance-free ball bearings
- Vibration-free operation
- Precision balanced for superior performance
- Compact and rugged construction

model	voltage (V)	freq (Hz)	current (A)	power (W)	speed (RPM)	airflow (m ³ /h)	airflow (CFM)	pressure (Pa)	capacitor μF	insulation class
FD120B	230	50/60	0.37/0.42	81/95	2180/2210	290/298	171/175	296/421	2/450	F
FD120A	115	60	0.82	91	2070	274	161	410	6/250	F

Performance Curves



Dimensions (mm)



Applications

HVAC, cabinet cooling, medical equipment, military applications, air filtration, semiconductors, commercial and industrial cooling.



T 1.888.546.0524 • F 1.610.647.0319
 email: sales@pelonistech.com • www.pelonistech.com

