

6025-7

60 x 60 x 25mm (2.36 x 2.36 x 0.98in)

DC Fans

www.pelonistechnologies.com

HIGH EFFICIENCY SERIES



- RoHS
- UL
- cUL
- CE

FRAME: Thermoplastic, PBT (30%), UL94-V0
IMPELLER: Thermoplastic PBT (GF 15%), UL94-V0
BEARING SYSTEM: Ball Bearing or Sleeve Bearing
OPERATING LIFE: Ball: 50,000 hrs; Sleeve: 30,000 hrs
OPERATING TEMP: -10°C to +70°C @35-85% RH

LEAD WIRE: UL 1007, AWG 24/280mm, Red(+), Black(-)
PROTECTION: Locked rotor protected for minimum 72 hours

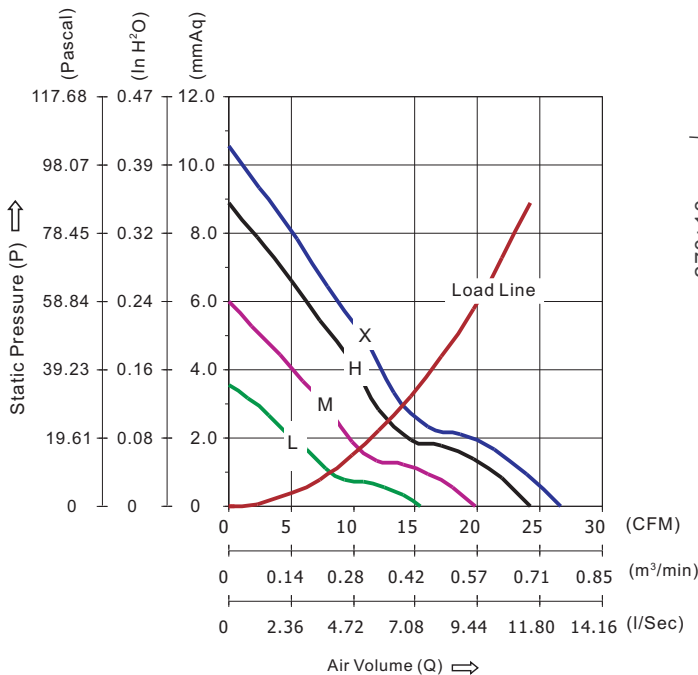


Available Features															
1a	1b	1c	2a	2b	2c	2d	3	4	5a	5b	6	7	8a	8b	8c
IR	AS	MS	FG	RD	Rdb	LD	SG/PWM	OV	TPWM	RPWM	CL	CS	VPWM	IPWM	PPWM
●	●		●	●	●	●		●	●	●	●	●	●	●	●

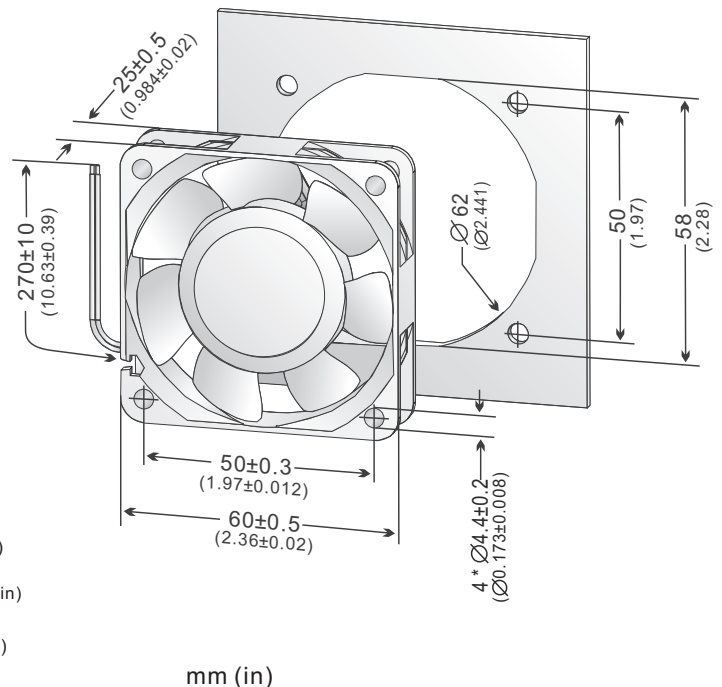
To add a desired feature to a fan, replace the Part Number suffix "x" with the available feature listed. (e.g. to add feature "2a" to fan Part Number D6025H24BPLBx-7, change the Part Number to D6025H24BPLB2a-7).

Part Number	Voltage (VDC)	Current (A)	Power (Watts)	Speed (RPM)	Air Flow (Q)		Pressure (P)		Noise (dBA)	Unit Weight (QTY/CTN)
					(CFM)	(m³/min)	(mmAq)	(in H ₂ O)		
D6025X24BPLBx-7	24 (15~27)	0.124	2.98	6000	26.70	0.756	10.56	0.416	41.56	73.5g (224pcs)
D6025H24BPLBx-7		0.097	2.34	5500	24.28	0.688	8.91	0.351	39.31	
D6025M24BPLBx-7		0.055	1.32	4500	19.81	0.561	5.99	0.236	34.13	
D6025L24BPLBx-7		0.027	0.65	3500	15.41	0.436	3.57	0.141	27.86	
D6025X48BPLBx-7	48 (30~57)	0.076	3.65	6000	26.70	0.756	10.56	0.416	41.56	73.5g (224pcs)
D6025H48BPLBx-7		0.058	2.77	5500	24.28	0.688	8.91	0.351	39.31	
D6025M48BPLBx-7		0.039	1.89	4500	19.81	0.561	5.99	0.236	34.13	
D6025L48BPLBx-7		0.022	1.06	3500	15.41	0.436	3.57	0.141	27.86	

PERFORMANCE CURVES



DIMENSIONAL DRAWING



6025-7

- All fans listed refer to double ball bearing fans; sleeve bearing fans may consume about 10% more power for the same speed.
- Noise measurements are taken with a background noise of 16.8 dBA.
- Please see "Available Features Index" for a summary explanation of each feature
- Specifications are subject to change without notice.

Copyright 2009 Pelonis Technologies, Inc. All rights reserved.



sales@pelonistech.com • T888.546.0524 • F610.647.0319