

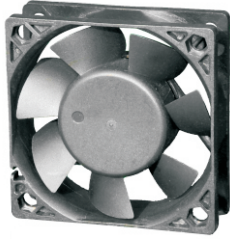
6020-7

60 x 60 x 20mm (2.36 x 2.36 x 0.79in)

DC Fans

www.pelonistech.com

STANDARD SERIES



FRAME: Thermoplastic, PBT (30%), UL94-V0
IMPELLER: Thermoplastic PBT (GF 15%), UL94-V0
BEARING SYSTEM: Ball Bearing or Sleeve Bearing
OPERATING LIFE: Ball: 50,000 hrs; Sleeve: 30,000 hrs
OPERATING TEMP: -10°C to +70°C @35-85% RH

LEAD WIRE: UL 1007, AWG 26/270mm, Red(+), Black(-)
PROTECTION: Locked rotor protected for minimum 72 hours



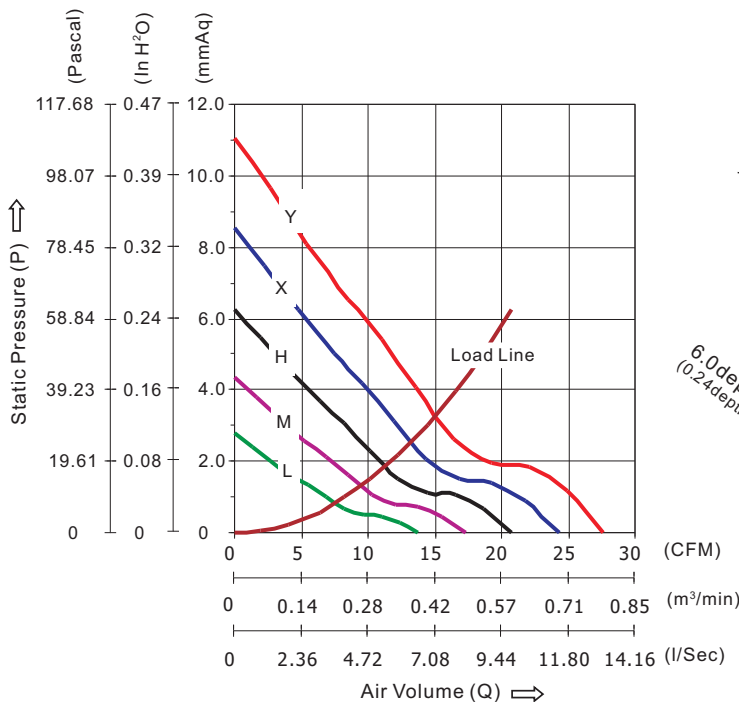
- RoHS
- UL
- cUL
- CE

Available Features															
1a	1b	1c	2a	2b	2c	2d	3	4	5a	5b	6	7	8a	8b	8c
IR	AS	MS	FG	RD	Rdb	LD	SG/PWM	OV	TPWM	RPWM	CL	CS	VPWM	IPWM	PPWM
	●		●	●	●										

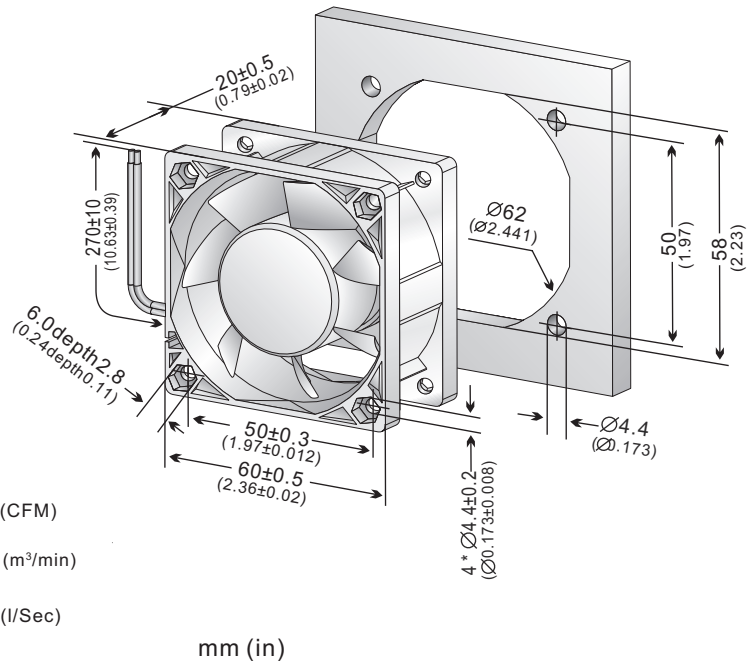
To add a desired feature to a fan, replace the Part Number suffix "x" with the available feature listed. (e.g. to add feature "2a" to fan Part Number C6020H12BPLBx-7, change the Part Number to C6020H12BPLB2a-7).

Part Number	Voltage (VDC)	Current (A)	Power (Watts)	Speed (RPM)	Air Flow (Q)		Pressure (P)		Noise (dBA)	Unit Weight (QTY/CTN)
					(CFM)	(m³/min)	(mmAq)	(in H ₂ O)		
C6020X12BPLBx-7	12 (07~14)	0.241	2.90	5600	24.30	0.688	8.53	0.336	39.16	54g (240pcs)
C6020H12BPLBx-7		0.164	1.97	4800	20.82	0.589	6.26	0.247	35.14	
C6020M12BPLBx-7		0.097	1.17	4000	17.36	0.492	4.36	0.172	30.37	
C6020L12BPLBx-7		0.065	0.78	3200	13.80	0.391	2.76	0.109	24.50	
C6020Y24BPLBx-7	24 (15~27)	0.204	4.89	6400	27.63	0.782	11.03	0.434	42.46	54g (240pcs)
C6020X24BPLBx-7		0.143	3.42	5600	24.30	0.688	8.53	0.336	39.16	
C6020H24BPLBx-7		0.087	2.10	4800	20.82	0.589	6.26	0.247	35.14	
C6020M24BPLBx-7		0.052	1.26	4000	17.36	0.492	4.36	0.172	30.37	
C6020L24BPLBx-7		0.029	0.70	3200	13.80	0.391	2.76	0.109	24.50	

PERFORMANCE CURVES



DIMENSIONAL DRAWING



- All fans listed refer to double ball bearing fans; sleeve bearing fans may consume about 10% more power for the same speed.
- Noise measurements are taken with a background noise of 16.8 dBA.
- Please see "Available Features Index" for a summary explanation of each feature
- Specifications are subject to change without notice.



sales@pelonistech.com • T888.546.0524 • F610.647.0319