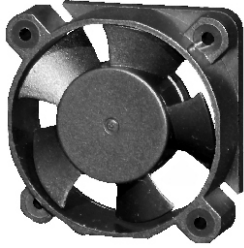


3010-5

30 x 30 x 10mm (1.18 x 1.18 x 0.39in)

DC Fans

www.pelonistech.com



FRAME: Thermoplastic, PBT (30%), UL94-V0
IMPELLER: Thermoplastic PBT (GF 15%), UL94-V0
BEARING SYSTEM: Ball Bearing or Sleeve Bearing
OPERATING LIFE: Ball: 50,000 hrs; Sleeve: 30,000 hrs
OPERATING TEMP: -10°C to +70°C @35-85% RH

LEAD WIRE: UL 1007, AWG 28/240mm, Red(+), Black(-)
PROTECTION: Locked rotor protected for minimum 72 hours



STANDARD SERIES

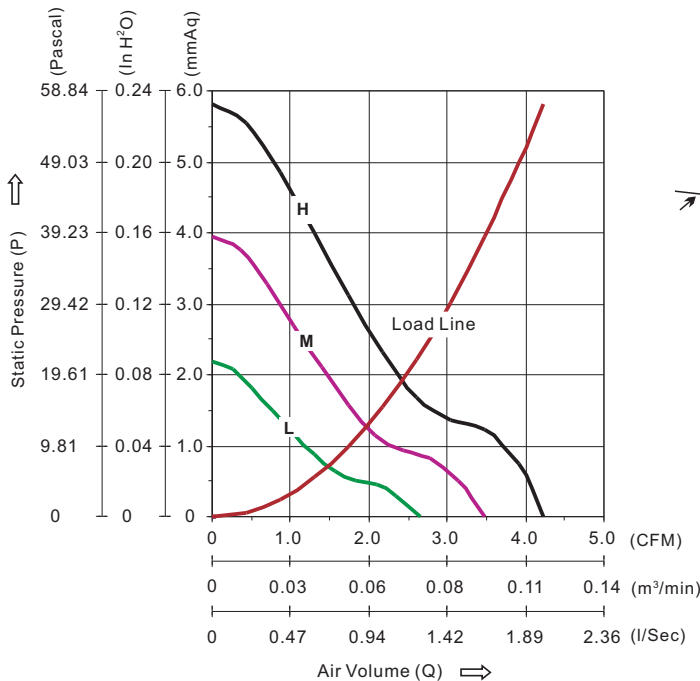
- RoHS
- UL
- cUL
- CE

Available Features													8a	8b	8c
1a	1b	1c	2a	2b	2c	2d	3	4	5a	5b	6	7	8a	8b	8c
IR	AS	MS	FG	RD	Rdb	LD	SG/PWM	OV	TPWM	RPWM	CL	CS	VPWM	IPWM	PPWM
	●		●												

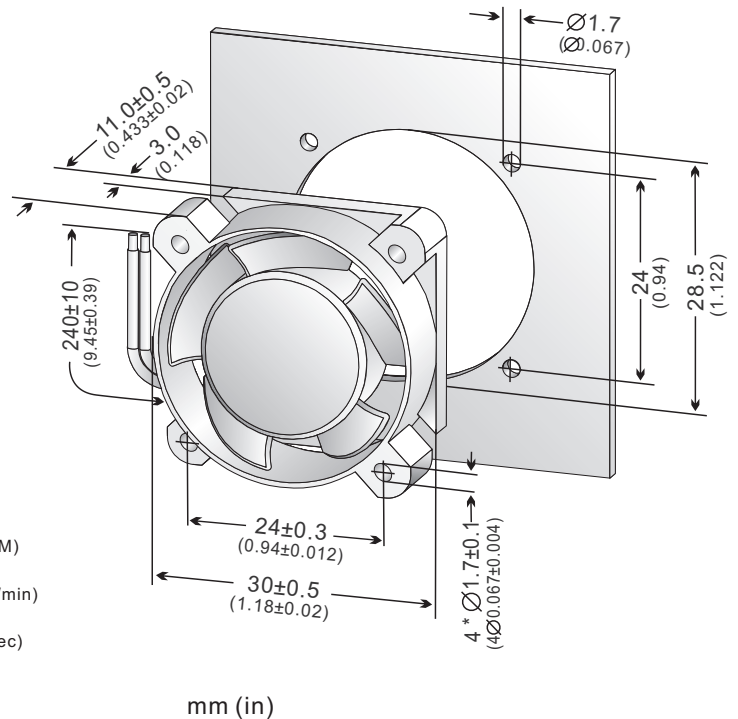
To add a desired feature to a fan, replace the Part Number suffix "x" with the available feature listed. (e.g. to add feature "2a" to fan Part Number C3010H05BPLBx-5, change the Part Number to C3010H05BPLB2a-5).

Part Number	Voltage (VDC)	Current (A)	Power (Watts)	Speed (RPM)	Air Flow (Q)		Pressure (P)		Noise (dBA)	Unit Weight (QTY/CTN)
					(CFM)	(m³/min)	(mmAq)	(in H ₂ O)		
C3010H05BPLBx-5	05 (04~06)	0.138	0.69	10000	4.23	0.120	5.82	0.229	28.53	8.8g (1080pcs)
C3010M05BPLBx-5		0.110	0.55	8000	3.47	0.098	3.95	0.155	24.16	
C3010L05BPLBx-5		0.086	0.43	6000	2.65	0.075	2.19	0.086	17.68	
C3010H12BPLBx-5	12 (07~14)	0.071	0.86	10000	4.23	0.120	5.82	0.229	28.53	8.8g (1080pcs)
C3010M12BPLBx-5		0.049	0.59	8000	3.47	0.098	3.95	0.155	24.16	
C3010L12BPLBx-5		0.037	0.45	6000	2.65	0.075	2.19	0.086	17.68	

PERFORMANCE CURVES



DIMENSIONAL DRAWING



- All fans listed refer to double ball bearing fans; sleeve bearing fans may consume about 10% more power for the same speed.
- Noise measurements are taken with a background noise of 16.8 dBA.
- Please see "Available Features Index" for a summary explanation of each feature
- Specifications are subject to change without notice.



sales@pelonistech.com • T888.546.0524 • F610.647.0319

3010-5