

2510-5

25 x 25 x 10mm (0.98 x 0.98 x 0.39in)

DC Fans

www.pelonistech.com

STANDARD SERIES



- RoHS
- UL
- cUL
- CE

FRAME: Thermoplastic, PBT (30%), UL94-V0
IMPELLER: Thermoplastic PBT (GF 15%), UL94-V0
BEARING SYSTEM: Ball Bearing or Sleeve Bearing
OPERATING LIFE: Ball: 50,000 hrs; Sleeve: 30,000 hrs
OPERATING TEMP: -10°C to +70°C @35-85% RH

LEAD WIRE: UL 1061, AWG 30/240mm, Red(+), Black(-)
PROTECTION: Locked rotor protected for minimum 72 hours



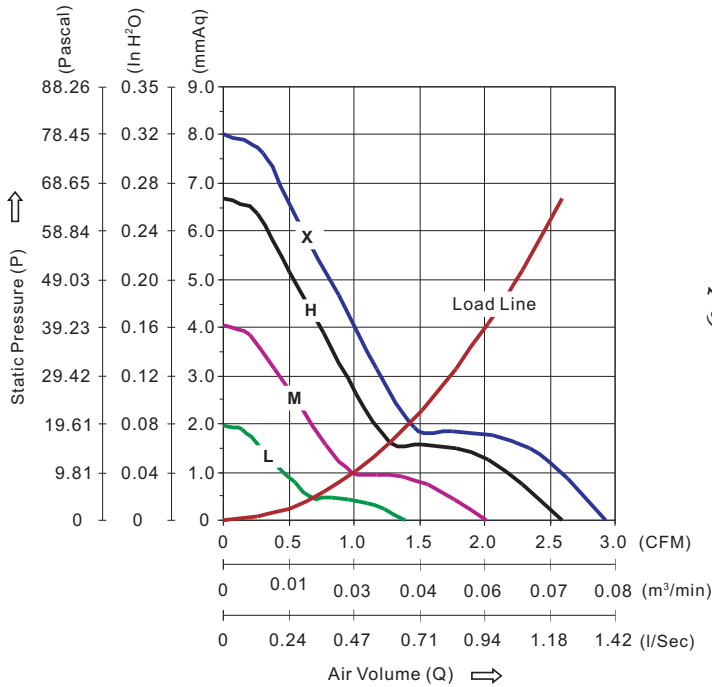
Available Features

1a IR	1b AS	1c MS	2a FG	2b RD	2c Rdb	2d LD	3 SG/PWM	4 OV	5a TPWM	5b RPWM	6 CL	7 CS	8a VPWM	8b IPWM	8c PPWM
	●		●												

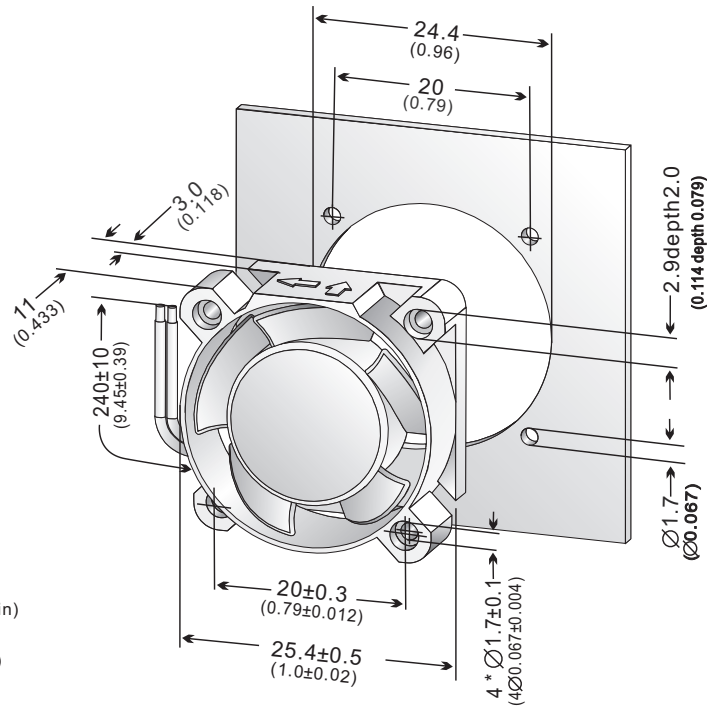
To add a desired feature to a fan, replace the Part Number suffix "x" with the available feature listed. (e.g. to add feature "2a" to fan Part Number C2510H05BPLBx-5, change the Part Number to C2510H05BPLB2a-5).

Part Number	Voltage (VDC)	Current (A)	Power (Watts)	Speed (RPM)	Air Flow (Q)		Pressure (P)		Noise (dBA)	Unit Weight (QTY/CTN)
					(CFM)	(m³/min)	(mmAq)	(in H ₂ O)		
C2510X05BPLBx-5		0.216	1.08	15000	2.92	0.083	8.00	0.315	34.19	
C2510H05BPLBx-5	05	0.190	0.95	13000	2.60	0.074	6.67	0.263	30.54	7.6g
C2510M05BPLBx-5	(04~06)	0.125	0.62	10000	2.02	0.057	4.05	0.159	24.21	(1080pcs)
C2510L05BPLBx-5		0.089	0.45	7000	1.39	0.039	1.98	0.078	18.14	
C2510X12BPLBx-5		0.100	1.20	15000	2.92	0.083	8.00	0.315	34.19	
C2510H12BPLBx-5	12	0.089	0.06	13000	2.60	0.074	6.67	0.263	30.54	7.6g
C2510M12BPLBx-5	(07~14)	0.070	0.84	10000	2.02	0.057	4.05	0.159	24.21	(1080pcs)
C2510L12BPLBx-5		0.038	0.45	7000	1.39	0.039	1.98	0.078	18.14	

PERFORMANCE CURVES



DIMENSIONAL DRAWING



mm (in)

- All fans listed refer to double ball bearing fans; sleeve bearing fans may consume about 10% more power for the same speed.
- Noise measurements are taken with a background noise of 16.8 dBA.
- Please see "Available Features Index" for a summary explanation of each feature
- Specifications are subject to change without notice.



sales@pelonistech.com • T888.546.0524 • F610.647.0319

2510-5

C01