

PTFF-N20

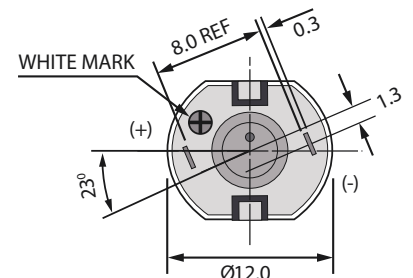
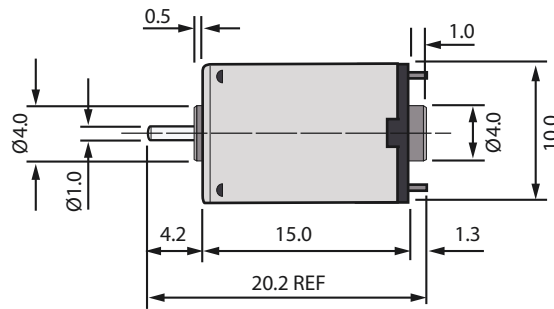
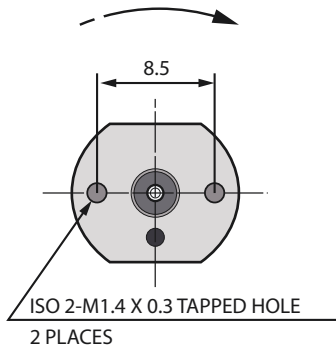
PRECIOUS METAL BRUSHED DC MICRO MOTOR



15Lx12Wx10mmH (0.59Lx0.47Wx0.39inH)

VOLTAGE	1.5~5.0V
HUSING LENGTH	15mm (0.59in)
WIDTH X HEIGHT	12mm x 10mm (0.47 x 0.39in)
SHAFT LENGTH	19.5mm (0.77in)
SPEED (NO LOAD)	11648~14800 RPM
POWER (AT MAX EFF)	0.21~0.30W
TORQUE (AT MAX EFF)	2.10~2.33 g·cm (0.206~0.230 mN·m)
OPERATING TEMPERATURE	-20°C ~+60°C
WEIGHT	5g (0.18oz)

MODEL NUMBER	VOLTAGE (V)		NO LOAD		AT MAXIMUM EFFICIENCY				STARTING		
	OPERATING RANGE	NOMINAL	SPEED RPM	CURRENT A	SPEED RPM	CURRENT A	TORQUE g·cm mN·m	OUTPUT W	TORQUE g·cm mN·m	CURRENT A	
PTFF-N20-10190	2.0~5.0	3.0	11648	0.033	9309	0.131	2.10 0.206	0.21	10.5 1.02	0.52	
PTFF-N20-13115	1.5~3.0	2.4	14800	0.045	12193	0.208	2.33 0.230	0.30	12.8 1.25	0.95	



UNIT: mm

