

PT1015-111-Q/PT1215-111-Q PT1718-111-Q

CORELESS DC MICRO MOTOR

10D x 15mmL (0.39D x 0.59inL)

12D x 15mmL (0.47D x 0.59inL)

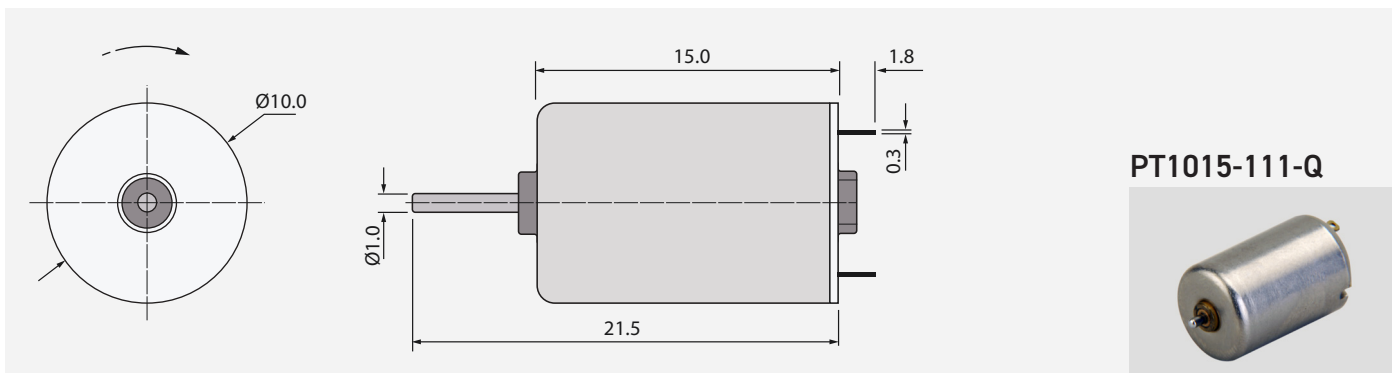
17D x 18mmL (0.67D x 0.71inL)



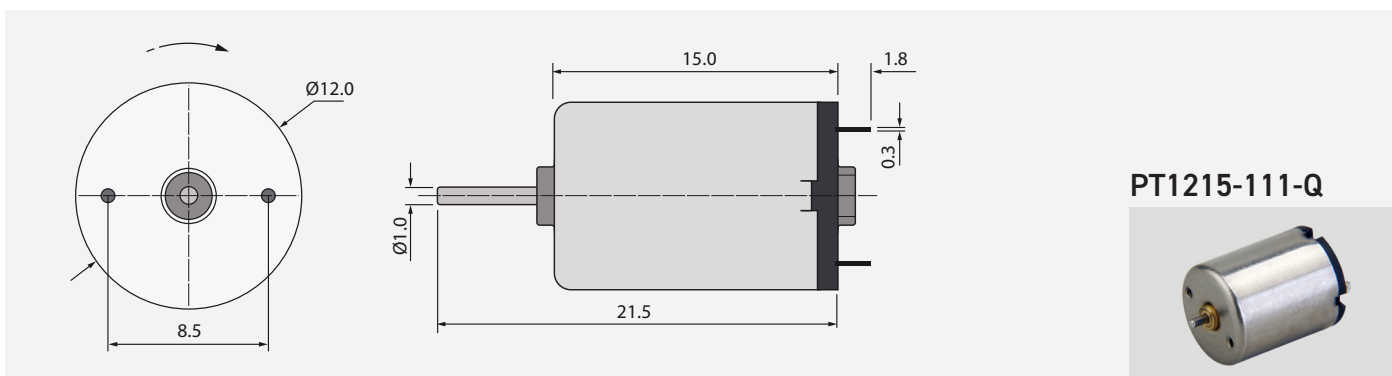
| | |
|-----------------------|---------------------------|
| VOLTAGE | 4.5~6.0V |
| HOUSING LENGTH | 15~18.0mm (0.59 x 0.71in) |
| DIAMETER | 10~17.4mm (0.39 x 0.69in) |
| SHAFT LENGTH | 21.5~22.0mm (0.85~0.87in) |
| SPEED (NO LOAD) | 17500~24000 RPM |
| CURRENT (NO LOAD) | 70~100mA |
| OPERATING TEMPERATURE | -20°C ~+60°C |

| MODEL NUMBER | RATED VOLTAGE | | NO LOAD | | RATED | |
|--------------|---------------|--|---------|---------|-------|---------|
| | NOMINAL | | SPEED | CURRENT | SPEED | CURRENT |
| | V | | RPM | mA | RPM | mA |
| PT1015-111-Q | 4.5 | | 24000 | 70 | 15000 | 500 |
| PT1215-111-Q | 5.0 | | 17500 | 70 | 13200 | 350 |
| PT1718-111-Q | 6.0 | | 18000 | 100 | 15000 | 550 |

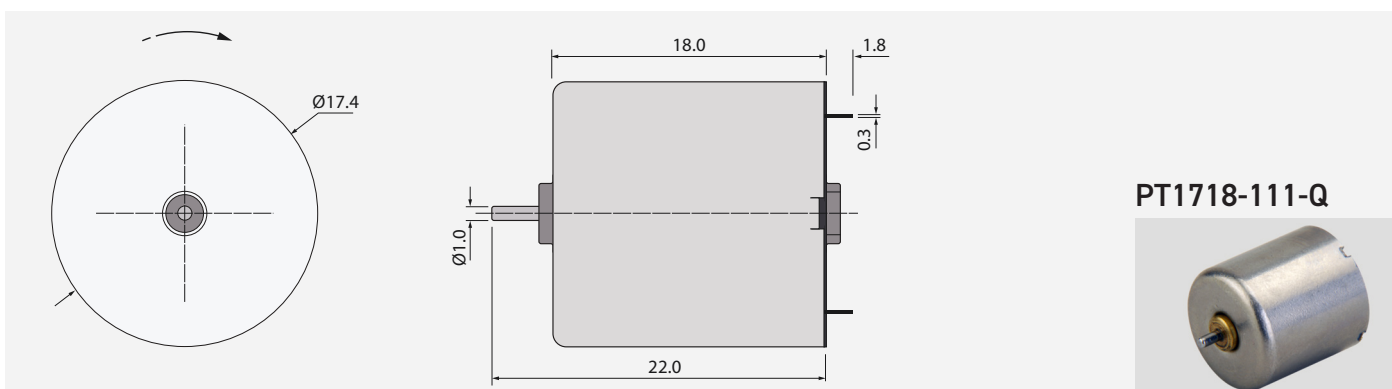
UNIT: mm



PT1015-111-Q



PT1215-111-Q



PT1718-111-Q