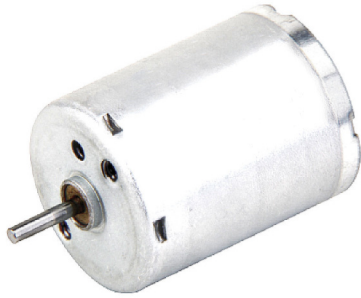


PTRS-370CM

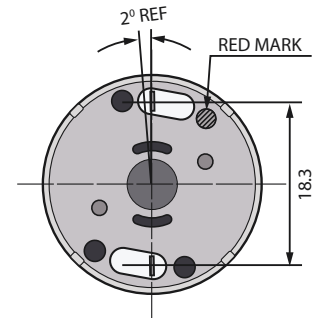
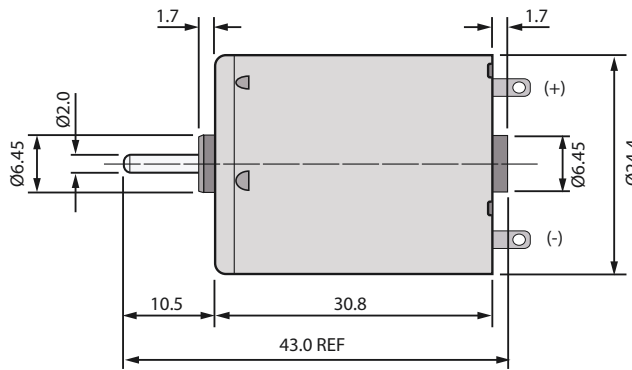
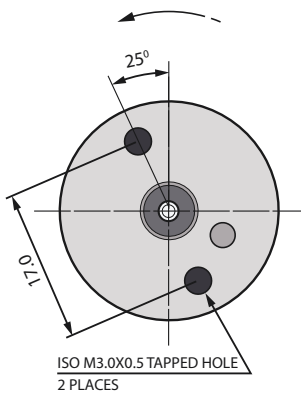
CARBON BRUSHED DC MICRO MOTOR



24D x 31mmL (0.94D x 1.22inL)

VOLTAGE	18.0~30.0V
HOUSING LENGTH	30.8mm (1.21in)
DIAMETER	24.4mm (0.96in)
SHAFT LENGTH	42.0mm (1.65in)
SPEED (NO LOAD)	5600 RPM
POWER (AT MAX EFF)	4.15W
TORQUE (AT MAX EFF)	32.4 g·cm (3.18 mN·m)
OPERATING TEMPERATURE	-30°C ~+80°C
WEIGHT	51g (1.80)

MODEL NUMBER	VOLTAGE (V)		NO LOAD		AT MAXIMUM EFFICIENCY					STARTING		
	OPERATING RANGE	NOMINAL	SPEED RPM	CURRENT A	SPEED RPM	CURRENT A	TORQUE g·cm	TORQUE mN·m	OUTPUT W	TORQUE g·cm	TORQUE mN·m	CURRENT A
PTRS-370CM-10690	18.0~30.0	24.0	5600	0.02	4650	0.092	32.4	3.18	4.15	190	18.6	0.44



UNIT: mm

