

# PTFS-130SM

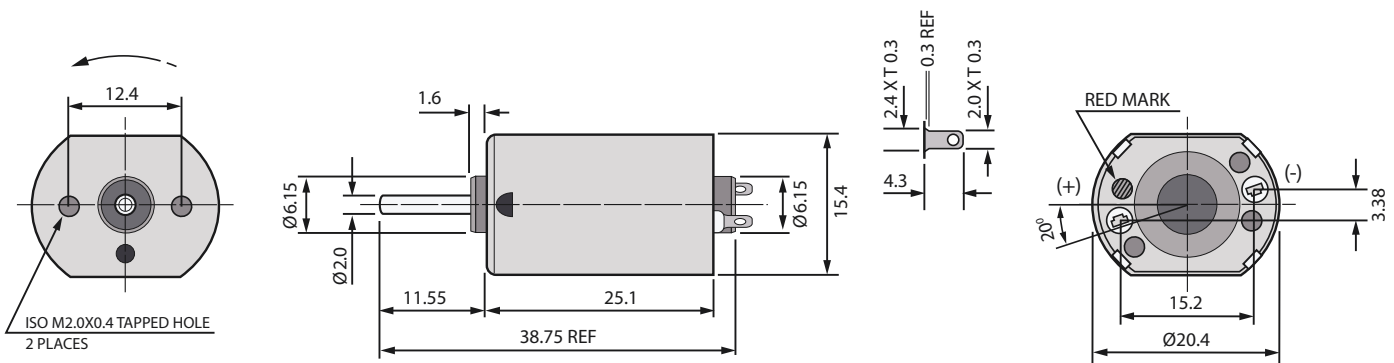
CARBON BRUSHED DC MICRO MOTOR



25Lx20Wx15mmH (0.98Lx0.79Wx0.59inH)

VOLTAGE	6.0~24.0V
HOUSING LENGTH	25.1mm (0.99in)
WIDTH X HEIGHT	20.4 x 15.4mm (0.80 x 0.61in)
SHAFT LENGTH	38.75mm (1.53in)
SPEED (NO LOAD)	7200 RPM
POWER (AT MAX EFF)	0.63W
TORQUE (AT MAX EFF)	10.0 g·cm (0.98 mN·m)
OPERATING TEMPERATURE	-40°C ~+80°C
WEIGHT	24g (0.85)

MODEL NUMBER	VOLTAGE (V)		NO LOAD		AT MAXIMUM EFFICIENCY					STARTING		
	OPERATING RANGE	NOMINAL	SPEED	CURRENT	SPEED	CURRENT	TORQUE		OUTPUT	TORQUE		CURRENT
			RPM	A	RPM	A	g·cm	mN·m	W	g·cm	mN·m	A
PTFS-130SM-09450	6.0~24.0	12.0	7200	0.035	6100	0.11	10.0	0.98	0.63	60	5.88	0.47



UNIT: mm

