

# PTRE-260SA

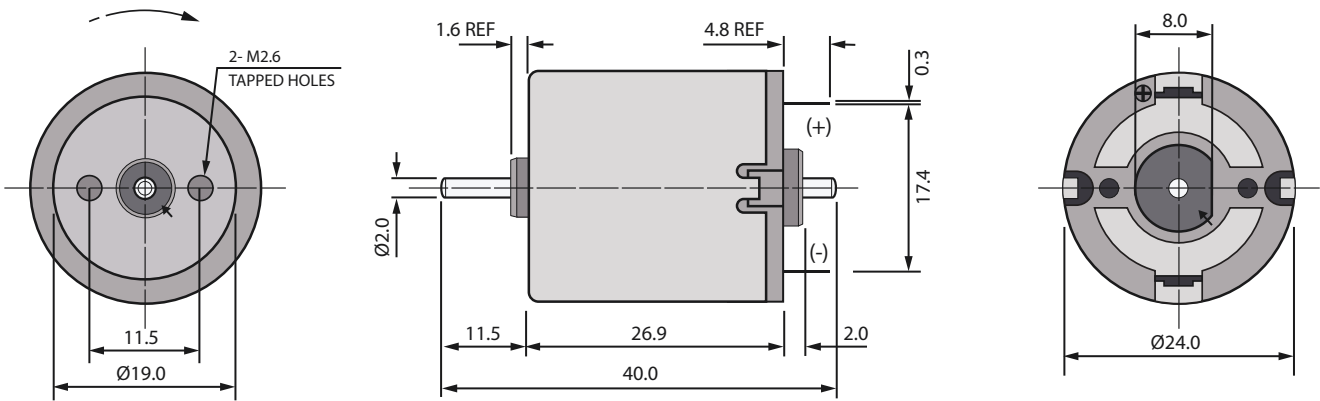
PRECIOUS METAL BRUSHED DC MICRO MOTOR



24D x 27mmL (0.94D x 1.06inL)

VOLTAGE	2.0~4.0V
HOUSING LENGTH	26.9mm (1.06in)
DIAMETER	24mm (0.94in)
SHAFT LENGTH	40mm (1.57in)
SPEED (NO LOAD)	3800 RPM
POWER (AT MAX EFF)	0.34W
TORQUE (AT MAX EFF)	11.13 g·cm (1.09 mN·m)
OPERATING TEMPERATURE	-30°C ~+70°C
WEIGHT	38g (1.34oz)

MODEL NUMBER	VOLTAGE (V)		NO LOAD		AT MAXIMUM EFFICIENCY				STARTING			
	OPERATING RANGE	NOMINAL	SPEED RPM	CURRENT A	SPEED RPM	CURRENT A	TORQUE g·cm	TORQUE mN·m	OUTPUT W	TORQUE g·cm	TORQUE mN·m	CURRENT A
PTRE-260SA-16175	2.0~4.0	3.0	3800	0.067	2930	0.23	11.13	1.09	0.34	48.6	4.76	0.76



UNIT: mm

