



## AX12B004/B009 AX24B004

### BRUSHED DC AXIAL FAN SERIES

STRAIGHT BLADE DESIGN

12V, 24V

706~1913 CFM (1200~3250 m<sup>3</sup>/h)

Dual Ball Bearings

Housing: PA66 + 30% GF, UL94-V0

Impeller: PA66 + 30% GF, UL94-V0

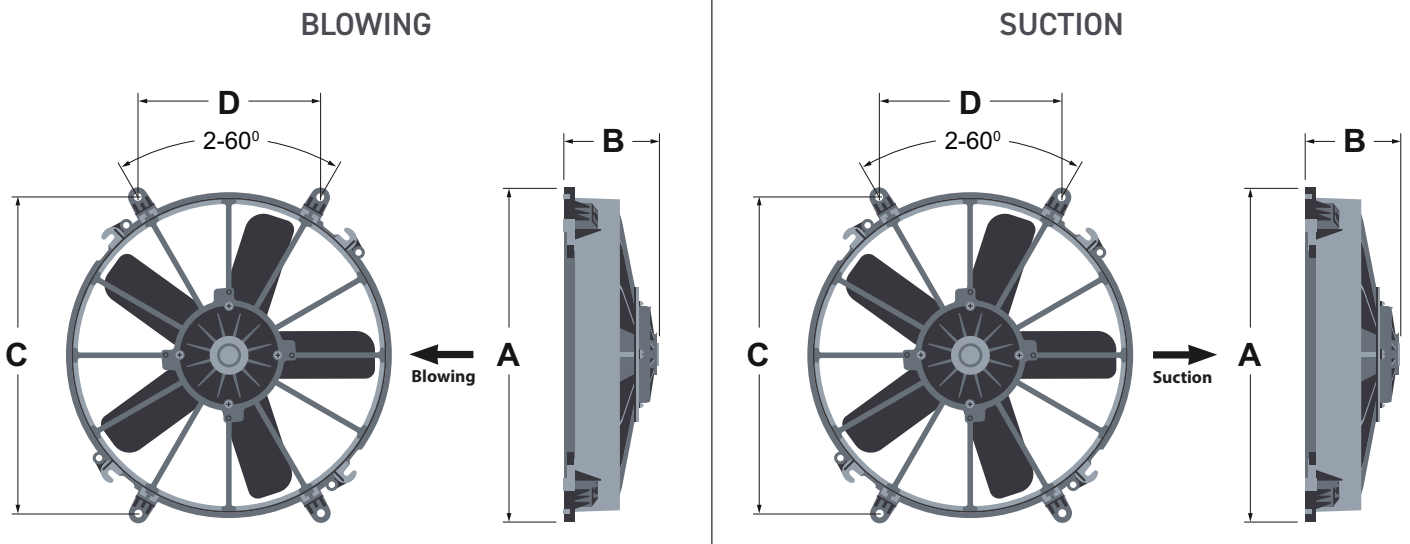
Operating Temperature: -40°C ~ +70°C

Operating Life: 6,000 hours

IP55 Dust & Moisture Protection

RoHS

Model Number	Airflow Direction	Voltage (V)	Part Number	Current (A)	No. Speeds	Airflow (Q)		CROSS REFERENCE PART NUMBER	
						(CFM)	(m <sup>3</sup> /h)		
AX12B004-B280-1SP-02	Blowing	12	01.12.31B	≤ 14	1	1295	2200	SPAL	VA03-AP70 / LL-37S VA03-AP70 / LL-68S
AX12B004-B255-1SP-02	Blowing	12	01.12.40B	≤ 13	1	1030	1750	SPAL	VA15-AP70 / LL-39S
AX12B004-S280-1SP-02	Suction	12	01.12.36B	≤ 14	1	1295	2200	SPAL	VA03-AP70 / LL-37A VA03-AP70 / LL-68A
AX12B004-B305X-1SP-02	Blowing	12	01.12.12B	≤ 13	1	1471	2500	SPAL	VA34-AP70 / LL-36S VA34-AP70 / LL-76S
AX12B004-B305-1SP-02	Blowing	12	01.12.14B	≤ 18.5	1	1619	2750	SPAL	VA01-AP70 / LL-36S VA01-AP70 / LL-79S
AX12B004-S305X-1SP-02	Suction	12	01.12.13B	≤ 13	1	1471	2500	SPAL	VA34-AP70 / LL-36A VA34-AP70 / LL-66A
AX12B004-S305-1SP-02	Suction	12	01.12.15B	≤ 18	1	1619	2750	SPAL	VA01-AP70 / LL-36A VA01-AP70 / LL-66A
AX12B004-B225-1SP-02	Blowing	12	01.12.42B	≤ 5	1	706	1200	SPAL	VA02-AP70 / LL-40S
AX12B004-S225-1SP-02	Suction	12	01.12.47B	≤ 5	1	706	1200	SPAL	VA02-AP70 / LL-40A
AX12B009-B305-1SP-02	Blowing	12	01.12.02B	≤ 20	1	1913	3250	SPAL	VA01-AP90 / LL-79S
AX24B004-B280-1SP-02	Blowing	24	01.24.31B	≤ 7	1	1354	2300	SPAL	VA03-BP70 / LL-37S VA03-BP70 / LL-68S
AX24B004-B255-1SP-02	Blowing	24	01.24.40B	≤ 6.5	1	1118	1900	SPAL	VA15-BP70 / LL-39A
AX24B004-S280-1SP-02	Suction	24	01.24.36B	≤ 8	1	1471	2500	SPAL	VA03-BP70 / LL-37A VA03-BP70 / LL-68A
AX24B004-B305X-1SP-02	Blowing	24	01.24.12B	≤ 9.5	1	1413	2400	SPAL	VA34-BP70 / LL-36S VA34-BP70 / LL-76S
AX24B004-B305-1SP-02	Blowing	24	01.24.14B	≤ 9	1	1589	2700	SPAL	VA01-BP70 / LL-36S VA01-BP70 / LL-79S
AX24B004-S305X-1SP-02	Suction	24	01.24.13B	≤ 9.5	1	1471	2500	SPAL	VA34-BP70 / LL-36A VA34-BP70 / LL-66A
AX24B004-S305-1SP-02	Suction	24	01.24.15B	≤ 10	1	1619	2750	SPAL	VA01-BP70 / LL-36A VA01-BP70 / LL-66A
AX24B004-B225-1SP-02	Blowing	24	01.24.42B	≤ 5	1	736	1250	SPAL	VA02-BP70 / LL-40S VA02-BP70 / LL-52S
AX24B004-S225-1SP-02	Suction	24	01.24.47B	≤ 6	1	736	1250	SPAL	VA02-BP70 / LL-40A VA02-BP70 / LL-52A



Model Number	Part Number	DIMENSIONS mm (in)			
		A	B	C	D
AX12B004-B280-1SP-02	01.12.31B	306 (12.05)	94 (3.70)	299 (11.77)	173 (6.81)
AX12B004-B255-1SP-02	01.12.40B	270 (10.63)	98 (3.86)	286 (11.26)	145 (5.71)
AX12B004-S280-1SP-02	01.12.36B	306 (12.05)	94 (3.70)	299 (11.77)	172.6 (6.80)
AX12B004-B305X-1SP-02	01.12.12B	331 (13.03)	94 (3.70)	321 (12.64)	185 (7.28)
AX12B004-B305-1SP-02	01.12.14B	330 (12.99)	96 (3.78)	321 (12.64)	185 (7.28)
AX12B004-S305X-1SP-02	01.12.13B	331 (13.03)	94 (3.70)	321 (12.64)	185 (7.28)
AX12B004-S305-1SP-02	01.12.15B	331 (13.03)	94 (3.70)	321 (12.64)	185 (7.28)
AX12B004-B225-1SP-02	01.12.42B	249 (9.80)	94 (3.70)	208 (8.19)	139 (5.47)
AX12B004-S225-1SP-02	01.12.47B	249 (9.80)	94 (3.70)	208 (8.19)	139 (5.47)
AX12B009-B305-1SP-02	01.12.02B	331 (13.03)	94 (3.70)	321 (12.64)	185 (7.28)
AX24B004-B280-1SP-02	01.24.31B	306 (12.05)	94 (3.70)	299 (11.77)	173 (6.81)
AX24B004-B255-1SP-02	01.24.40B	270 (10.63)	98 (3.86)	286 (11.26)	145 (5.71)
AX24B004-S280-1SP-02	01.24.36B	306 (12.05)	94 (3.70)	299 (11.77)	172.6 (6.80)
AX24B004-B305X-1SP-02	01.24.12B	331 (13.03)	94 (3.70)	321 (12.64)	185 (7.28)
AX24B004-B305-1SP-02	01.24.14B	330 (12.99)	96 (3.78)	321 (12.64)	185 (7.28)
AX24B004-S305X-1SP-02	01.24.13B	331 (13.03)	94 (3.70)	321 (12.64)	185 (7.28)
AX24B004-S305-1SP-02	01.24.15B	331 (13.03)	94 (3.70)	321 (12.64)	185 (7.28)
AX24B004-B225-1SP-02	01.24.42B	249 (9.80)	94 (3.70)	208 (8.19)	139 (5.47)
AX24B004-S225-1SP-02	01.24.47B	249 (9.80)	94 (3.70)	208 (8.19)	139 (5.47)