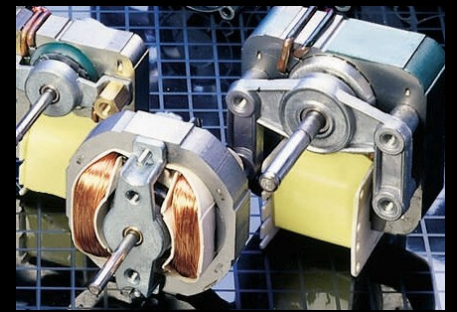


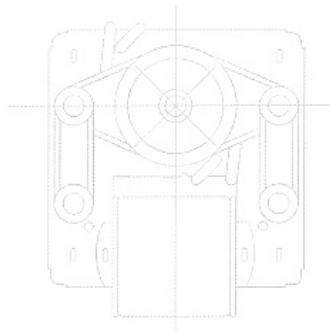
*AC Motors*



# innovation in ac motors



PTI's AC shaded pole induction motors are manufactured for quiet operation and long trouble-free life. Sturdy all steel open construction designs are made of heavy-duty silicone steel and are coated with a special finish to protect against humidity and abnormal environmental conditions. Available in 10 to 20mm stack sizes and in 120 and 230V models.

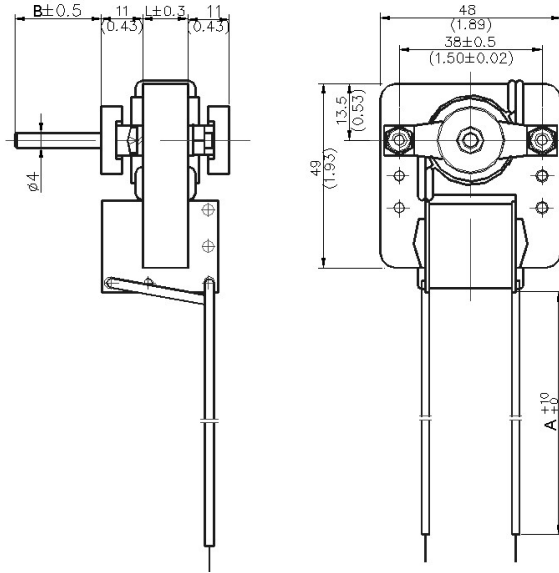
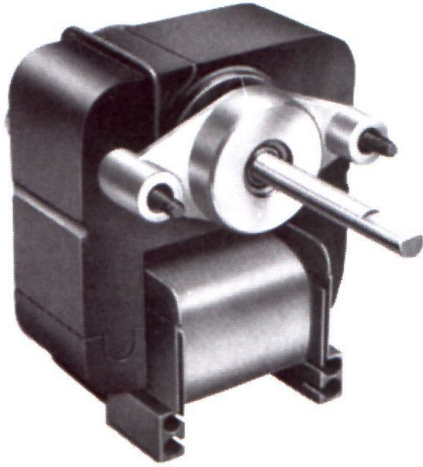


*...ideal for space heaters, fans, humidifiers, business equipment, office machines, household appliances, and industrial products.*

- Double varnish coating protects against humidity and environmental conditions.
- Sleeve bearings ensure long life operation.
- Low noise designs enhance equipment performance.
- Impedance protection.
- Class B insulation.
- ISO 9002 and 14001 certified manufacturing facilities.

# PM48 Series

**Size: 48 x 49mm (1.89 x 1.93in)**



Dimensions are in millimeters. ( ) are in

PART NO.	BEARINGS	VOLTAGE (V/Hz)	POWER (W)	CURRENT (mA)	SPEED (RPM)	L (mm)	L (in)	NOISE (dBA)	WEIGHT (g)
PM4810-1	Sleeve	120/60	<8	<120	>3200	10	.39	<40	223
PM4810-2	Sleeve	230/50	<8.6	<74	>2700	10	.39	<40	223
PM4812-1	Sleeve	120/60	<9	<125	>3200	12	.47	<40	247
PM4812-2	Sleeve	230/50	<9.8	<76	>2800	12	.47	<40	247

### Specifications

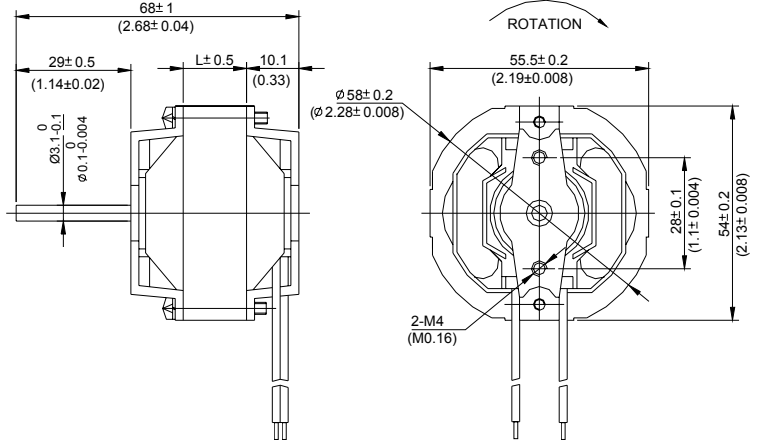
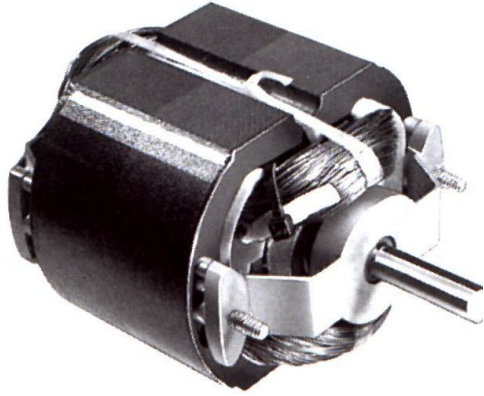
<b>Weight:</b>	223-247g (7.9-8.7 oz)
<b>Noise:</b>	<40 dBA
<b>Motor:</b>	Shaded Pole Induction
<b>Bearing System:</b>	Sleeve Bearings
<b>Lead Wire:</b>	AWG 22
<b>Connector:</b>	Optional
<b>Stack Size:</b>	10-12mm (0.39-0.47in)
<b>Applications:</b>	Space heaters, fans humidifiers, business equipment, office machines, household appliances and industrial products



Tel: 1-888-546-0524 • Fax: 1-610-647-0319  
 email: fans\_motors@pelonis.com  
 www.pelonistechnologies.com

PM58 Series

Size: 54 x 55.5mm (2.13 x 2.19in)



Dimensions are in millimeters. ( ) are in

PART NO.	BEARINGS	VOLTAGE (V/Hz)	POWER (W)	CURRENT (mA)	SPEED (RPM)	L (mm)	L (in)	NOISE (dBA)	WEIGHT (g)
PM5812-1	Sleeve	120/60	<11	<160	>3200	12	.47	<40	269
PM5812-2	Sleeve	230/50	<12	<92	>2800	12	.47	<40	269
PM5816-1	Sleeve	120/60	<12.5	<180	>3200	16	.58	<40	311
PM5816-2	Sleeve	230/50	<13.5	<108	>2800	16	.58	<40	311
PM5820-1	Sleeve	120/60	<18	<260	>3200	20	.79	<40	358
PM5820-2	Sleeve	230/50	<19.5	<162	>2800	20	.79	<40	358

Specifications

<b>Weight:</b>	269-358g (9.5-12.6 oz)
<b>Noise:</b>	<40 dBA
<b>Motor:</b>	Shaded Pole Induction
<b>Bearing System:</b>	Sleeve Bearings
<b>Lead Wire:</b>	AWG 22
<b>Connector:</b>	Optional
<b>Stack Size:</b>	12-20mm (0.47-0.79in)
<b>Applications:</b>	Space heaters, fans humidifiers, business equipment, office machines, household appliances and industrial products.



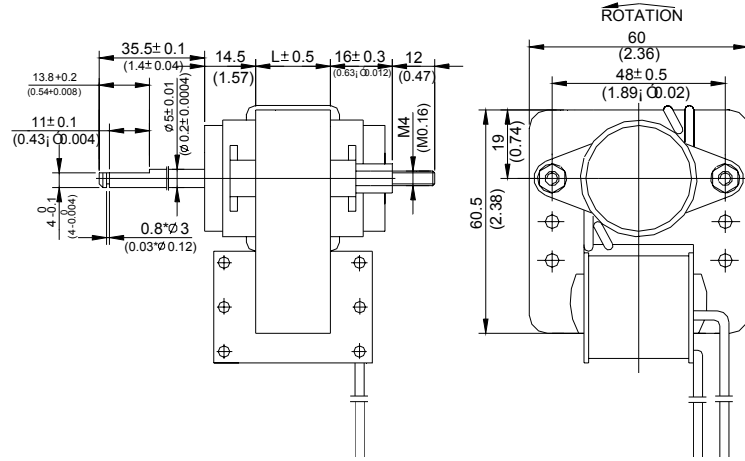
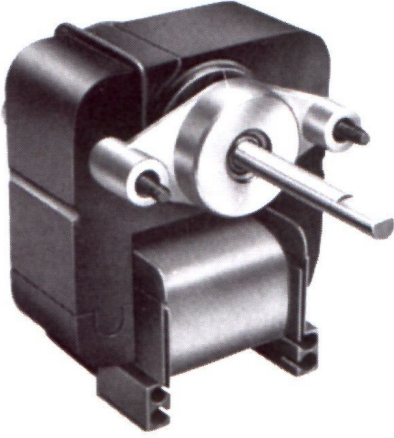
Tel: 1-888-546-0524 • Fax: 1-610-647-0319

email:fans\_motors@pelonis.com

www.pelonistechnologies.com

# PM60 Series

**Size: 60 x 60.5mm (2.36 x 2.38in)**



Dimensions are in millimeters. ( ) are in

PART NO.	BEARINGS	VOLTAGE (V/Hz)	POWER (W)	CURRENT (mA)	SPEED (RPM)	L (mm)	L (in)	NOISE (dBA)	WEIGHT (g)
PM6012-1	Sleeve	120/60	<15	<240	>3200	12	.47	<40	410
PM6012-2	Sleeve	230/50	<16	<140	>2800	12	.47	<40	410
PM6014-1	Sleeve	120/60	<23	<400	>3200	14	.55	<40	466
PM6014-2	Sleeve	230/50	<25	<250	>2800	14	.55	<40	466
PM6016-1	Sleeve	120/60	<16	<250	>3200	16	.63	<40	516
PM6016-2	Sleeve	230/50	<17.5	<140	>2800	16	.63	<40	516
PM6020-1	Sleeve	120/60	<24	<370	>3200	20	.79	<40	622
PM6020-2	Sleeve	230/50	<26	<220	>2800	20	.79	<40	622

## Specifications

**Weight:** 410-622g (14.5-21.9 oz)

**Noise:** <40 dBA

**Motor:** Shaded Pole Induction

**Bearing System:** Sleeve Bearings

**Lead Wire:** AWG 22

**Connector:** Optional

**Stack Size:** 12-20mm (0.47-0.79in)

**Applications:** Space heaters, fans humidifiers, business equipment, office machines, household appliances and industrial products.



Tel: 1-888-546-0524 • Fax: 1-610-647-0319  
 email: fans\_motors@pelonis.com  
 www.pelonistechnologies.com