



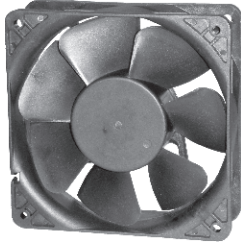
# 1238-7

120 x 120 x 38mm (4.72 x 4.72 x 1.50in)

# DC Fans

www.pelonistech.com

HIGH PERFORMANCE • HIGH EFFICIENCY



- RoHS
- UL
- cUL
- CE

**FRAME:** Thermoplastic, PBT (30%), UL94-V0  
**IMPELLER:** Thermoplastic PBT (GF 15%), UL94-V0  
**BEARING SYSTEM:** Ball Bearing or Sleeve Bearing  
**OPERATING LIFE:** Ball: 50,000 hrs; Sleeve: 30,000 hrs  
**OPERATING TEMP:** -10°C to +70°C @35-85% RH

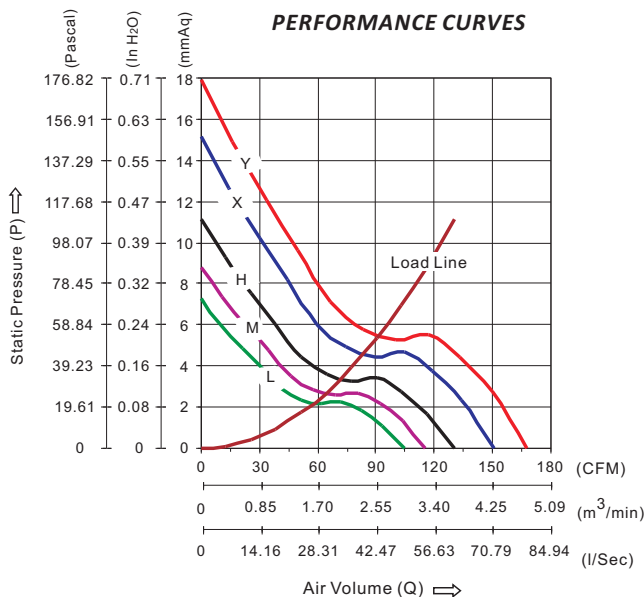
**LEAD WIRE:** UL 1007, AWG 24/240mm, Red(+), Black(-)  
**PROTECTION:** Locked rotor protected for minimum 72 hours



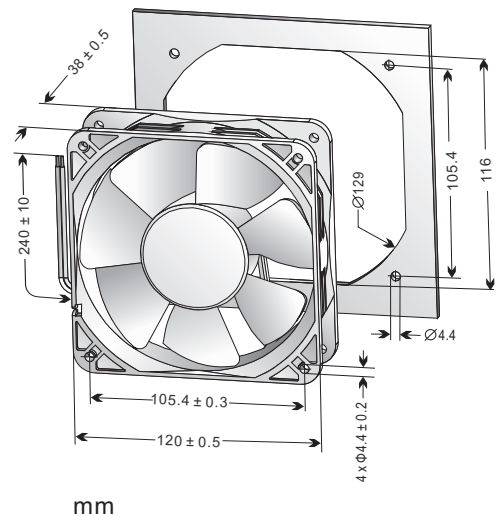
Available Features															
1a	1b	1c	2a	2b	2c	2d	3	4	5a	5b	6	7	8a	8b	8c
IR	AS	MS	FG	RD	Rdb	LD	SG/PWM	OV	TPWM	RPWM	CL	CS	VPWM	IPWM	PPWM
●	●		●	●	●	●		●			●	●			

To add a desired feature to a fan, replace the Part Number suffix "x" with the available feature listed. (e.g. to add feature "2a" to fan Part Number G1238H12BPLBx-7, change the Part Number to G1238H12BPLB2a-7).

Part Number	Voltage (VDC)	Current (A)	Power (Watts)	Speed (RPM)	Air Flow (Q)		Pressure (P)		Noise (dBA)	Unit Weight (QTY/CTN)
					(CFM)	(m <sup>3</sup> /min)	(mmAq)	(in H <sub>2</sub> O)		
G1238Y12BPLBx-7	12 (07~14)	1.191	14.29	4200	167.66	4.748	17.92	0.706	52.99	313g (40pcs)
G1238X12BPLBx-7		0.837	10.05	3750	150.71	4.268	15.17	0.597	50.32	
G1238H12BPLBx-7		0.549	6.58	3250	130.45	3.694	11.14	0.439	46.13	
G1238M12BPLBx-7		0.398	4.77	2900	115.24	3.263	8.81	0.347	42.96	
G1238L12BPLBx-7		0.296	3.55	2600	104.46	2.958	7.26	0.286	39.83	
G1238Y24BPLBx-7	24 (15~27)	0.578	13.87	4200	167.66	4.748	17.92	0.706	52.99	313g (40pcs)
G1238X24BPLBx-7		0.387	9.28	3750	150.71	4.268	15.17	0.597	50.32	
G1238H24BPLBx-7		0.258	6.20	3250	130.45	3.694	11.14	0.439	46.13	
G1238M24BPLBx-7		0.175	4.20	2900	115.24	3.263	8.81	0.347	42.96	
G1238L24BPLBx-7		0.126	3.03	2600	104.46	2.958	7.26	0.286	39.83	
G1238Y48BPLBx-7	48 (30~57)	0.311	14.94	4200	167.66	4.748	17.92	0.706	52.99	313g (40pcs)
G1238X48BPLBx-7		0.200	9.62	3750	150.71	4.268	15.17	0.597	50.32	
G1238H48BPLBx-7		0.140	6.71	3250	130.45	3.694	11.14	0.439	46.13	
G1238M48BPLBx-7		0.104	4.98	2900	115.24	3.263	8.81	0.347	42.96	
G1238L48BPLBx-7		0.074	3.54	2600	104.46	2.958	7.26	0.286	39.83	



### DIMENSIONAL DRAWING



- All fans listed refer to double ball bearing fans; sleeve bearing fans may consume about 10% more power for the same speed.
- Noise measurements are taken with a background noise of 16.8 dBA.
- Please see "Available Features Index" for a summary explanation of each feature
- Specifications are subject to change without notice.



sales@pelonistech.com • T888.546.0524 • F610.647.0319