



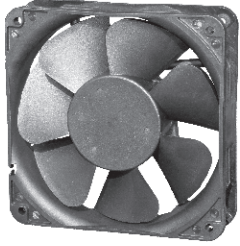
1232-7

120 x 120 x 32mm (4.72 x 4.72 x 1.26in)

DC Fans

www.pelonistechnologies.com

HIGH PERFORMANCE • HIGH EFFICIENCY



- RoHS
- UL
- cUL
- CE

FRAME: Thermoplastic, PBT (30%), UL94-V0
IMPELLER: Thermoplastic PBT (GF 15%), UL94-V0
BEARING SYSTEM: Ball Bearing or Sleeve Bearing
OPERATING LIFE: Ball: 50,000 hrs; Sleeve: 30,000 hrs
OPERATING TEMP: -10°C to +70°C @35-85% RH

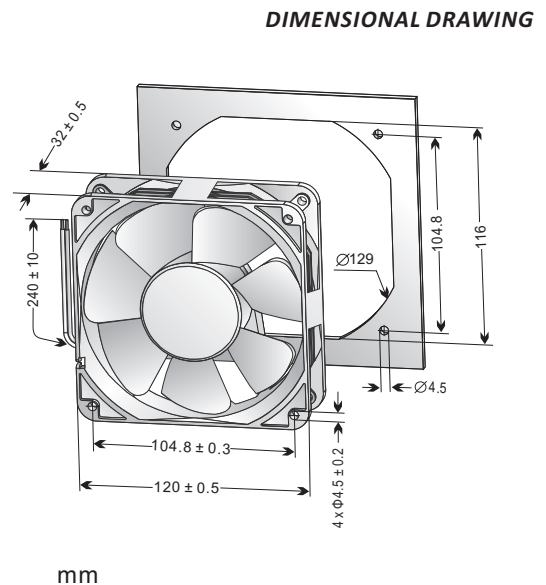
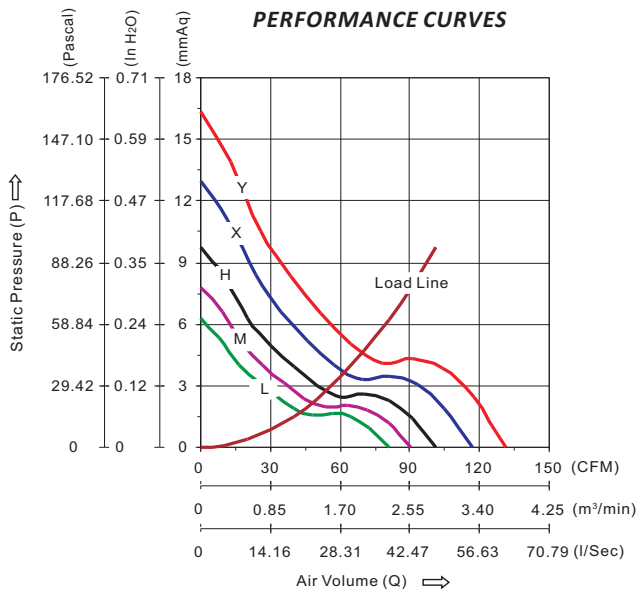
LEAD WIRE: UL 1007, AWG 24/210mm, Red(+), Black(-)
PROTECTION: Locked rotor protected for minimum 72 hours



| Available Features | | | | | | | | | | | | | | | |
|--------------------|----------|----------|----------|----------|-----------|----------|-------------|---------|------------|------------|---------|---------|------------|------------|------------|
| 1a IR | 1b AS | 1c MS | 2a FG | 2b RD | 2c Rdb | 2d LD | 3 SG/PWM | 4 OV | 5a TPWM | 5b RPWM | 6 CL | 7 CS | 8a VPWM | 8b IPWM | 8c PPWM |
| ● | ● | | ● | ● | ● | ● | | ● | | | ● | ● | | | |

To add a desired feature to a fan, replace the Part Number suffix "x" with the available feature listed. (e.g. to add feature "2a" to fan Part Number G1232H12BPLBx-7, change the Part Number to G1232H12BPLB2a-7).

| Part Number | Voltage (VDC) | Current (A) | Power (Watts) | Speed (RPM) | Air Flow (Q) | | Pressure (P) | | Noise (dBA) | Unit Weight (QTY/CTN) |
|-----------------|---------------|-------------|---------------|-------------|--------------|-----------------------|--------------|-----------------------|-------------|-----------------------|
| | | | | | (CFM) | (m ³ /min) | (mmAq) | (in H ₂ O) | | |
| G1232Y12BPLBx-7 | 12 (07~14) | 0.750 | 9.00 | 4200 | 131.45 | 3.722 | 16.34 | 0.643 | 49.71 | 280g (40pcs) |
| G1232X12BPLBx-7 | | 0.510 | 6.12 | 3750 | 117.21 | 3.319 | 13.00 | 0.512 | 46.69 | |
| G1232H12BPLBx-7 | | 0.330 | 3.96 | 3250 | 101.08 | 2.862 | 9.76 | 0.384 | 43.32 | |
| G1232M12BPLBx-7 | | 0.270 | 3.24 | 2900 | 90.28 | 2.556 | 7.79 | 0.307 | 40.09 | |
| G1232L12BPLBx-7 | | 0.170 | 2.04 | 2600 | 80.96 | 2.293 | 6.26 | 0.247 | 37.49 | |
| G1232Y24BPLBx-7 | 24 (15~27) | 0.330 | 7.92 | 4200 | 131.45 | 3.722 | 16.34 | 0.643 | 49.71 | 280g (40pcs) |
| G1232X24BPLBx-7 | | 0.220 | 5.28 | 3750 | 117.21 | 3.319 | 13.00 | 0.512 | 46.69 | |
| G1232H24BPLBx-7 | | 0.140 | 3.36 | 3250 | 101.08 | 2.862 | 9.76 | 0.384 | 43.32 | |
| G1232M24BPLBx-7 | | 0.120 | 2.88 | 2900 | 90.28 | 2.556 | 7.79 | 0.307 | 40.09 | |
| G1232L24BPLBx-7 | | 0.100 | 2.40 | 2600 | 80.96 | 2.293 | 6.26 | 0.247 | 37.49 | |
| G1232Y48BPLBx-7 | 48 (30~57) | 0.170 | 8.16 | 4200 | 131.45 | 3.722 | 16.34 | 0.643 | 49.71 | 280g (40pcs) |
| G1232X48BPLBx-7 | | 0.130 | 6.24 | 3750 | 117.21 | 3.319 | 13.00 | 0.512 | 46.69 | |
| G1232H48BPLBx-7 | | 0.070 | 3.36 | 3250 | 101.08 | 2.862 | 9.76 | 0.384 | 43.32 | |
| G1232M48BPLBx-7 | | 0.060 | 2.88 | 2900 | 90.28 | 2.556 | 7.79 | 0.307 | 40.09 | |
| G1232L48BPLBx-7 | | 0.050 | 2.40 | 2600 | 80.96 | 2.293 | 6.26 | 0.247 | 37.49 | |



- All fans listed refer to double ball bearing fans; sleeve bearing fans may consume about 10% more power for the same speed.
- Noise measurements are taken with a background noise of 16.8 dBA.
- Please see "Available Features Index" for a summary explanation of each feature
- Specifications are subject to change without notice.



sales@pelonistech.com • T888.546.0524 • F610.647.0319