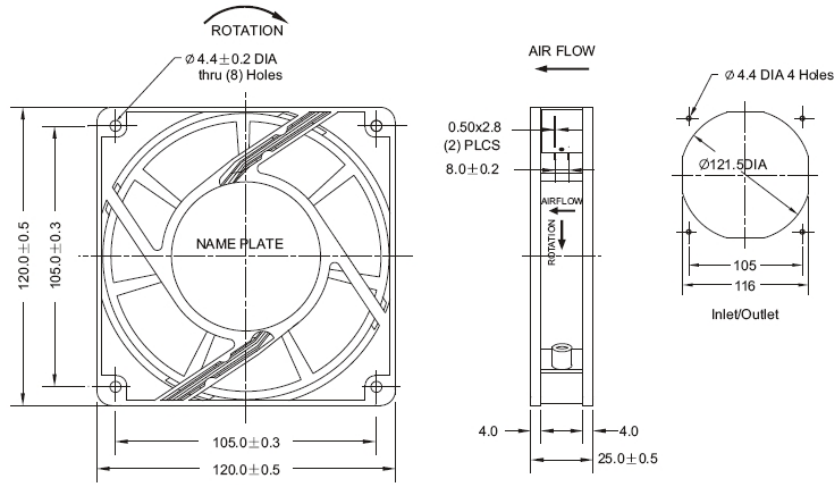


RA1225-C Series

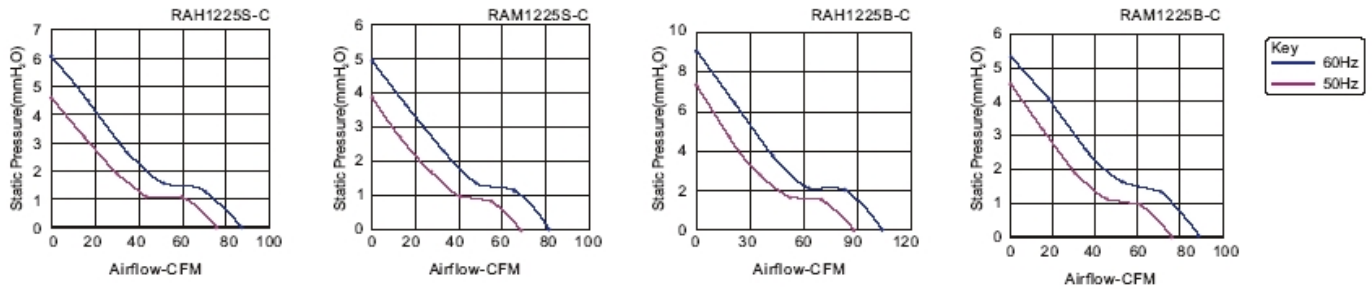
Size: 120 x 120 x 25mm (4.72 x 4.72 x 0.98in)

AC Fan



MODEL NO	BEARINGS	VOLTAGE (VAC)	FREQ (Hz)	CURRENT (A)	POWER (W)	SPEED (RPM)	AIR FLOW (CFM)	AIR FLOW (m³/min)	PRESSURE (mmAq)	PRESSURE (inH2O)	NOISE (dBA)
RAH1225B2-C	Ball	100~125	50/60	0.15/0.16	18/19	2800/3350	86/103	2.4/2.9	7.3/9.0	0.29/0.35	42/46
RAH1225S2-C	Sleeve	100~125	50/60	0.15/0.16	18/19	2450/2900	76/90	2.2/2/5	4.6/6.2	0.18/0.24	38/42
RAM1225B2-C	Ball	100~125	50/60	0.08/0.08	18/19	2450/2900	76/90	2.2/2.5	4.6/5.3	0.18/0.21	38/43
RAM1225S2-C	Sleeve	100~125	50/60	0.14/0.14	17/17	2300/2750	70/85	2.0/2.4	4.0/5.0	0.16/0.19	36/40
RAH1225B1-C	Ball	220~240	50/60	0.09/0.09	19/20	2800/3350	86/103	2.4/2.9	7.3/9.0	0.29/0.35	42/46
RAH1225S1-C	Sleeve	220~240	50/60	0.09/0.09	19/20	2450/2900	76/90	2.2/2.5	4.6/6.2	0.18/0.24	38/42
RAM1225B1-C	Ball	220~240	50/60	0.08/0.08	18/19	2450/2900	76/90	2.2/2.5	4.6/5.3	0.18/0.21	38/43
RAM1225S1-C	Sleeve	220~240	50/60	0.08/0.08	18/19	2300/2750	70/84	2.0/2.4	4.0/5.0	0.16/0.19	36/40

Performance Curves



Electrical Specifications

Dielectric Strength:	1500VAC for 1 second/0.5mA between terminal (wire) and frame.
Insulation Resistance:	≥100MΩ (COLD) between terminal (wire) and frame. ≥20MΩ (HOT) between terminal (wire) and frame.
Motor:	Shaded Pole Induction
Protection:	Impedance Protected

Mechanical Specifications

Airflow Direction:	Air Over Struts
Frame:	Aluminum Alloy
Impeller:	UL94V-0 Reinforced Plastic
Lead Wires (L):	22AWG, Black
Weight:	370g (13oz)
Terminals:	3mm (0.12in)
Life Expectancy:	Ball: 50,000 hrs. @20°C; Sleeve: 30,000 hrs. @20°C

Environmental Specifications

Operating Temperature:	-20 to +85°C	Ordinary humidity
Storage Temperature:	-30 to +120°C	Ordinary humidity
Acoustical:	Anechoic chamber at free air.	Measured at 1 meter from the fan and perpendicular to the direction of the airflow.