



8025-7

80 x 80 x 25mm (3.15 x 3.15 x 0.98in)

DC Fans

www.pelonistechnologies.com

HIGH CURRENT • HIGH AIRFLOW



FRAME: Thermoplastic, PBT (30%), UL94-V0
IMPELLER: Thermoplastic PBT (GF 15%), UL94-V0
BEARING SYSTEM: Ball Bearing or Sleeve Bearing
OPERATING LIFE: Ball: 50,000 hrs; Sleeve: 30,000 hrs
OPERATING TEMP: -10°C to +70°C @35-85% RH

LEAD WIRE: UL 1007, AWG 24/260mm, Red(+), Black(-)
PROTECTION: Locked rotor protected for minimum 72 hours



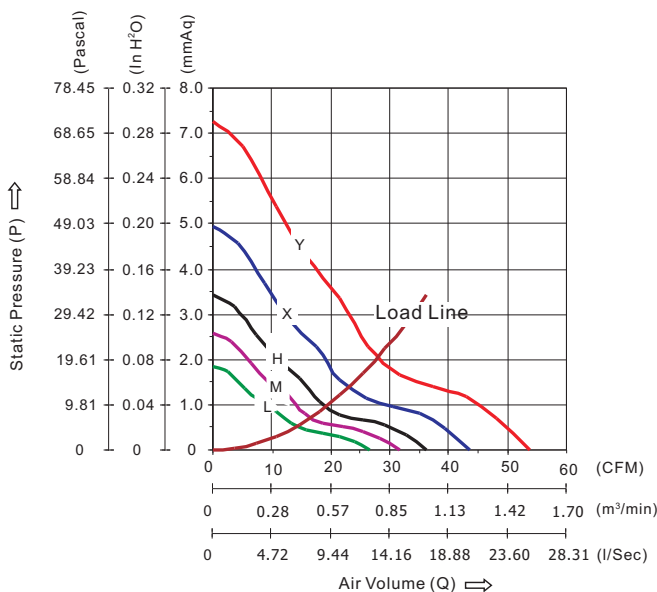
- RoHS
- UL
- cUL
- CE

Available Features															
1a	1b	1c	2a	2b	2c	2d	3	4	5a	5b	6	7	8a	8b	8c
IR	AS	MS	FG	RD	Rdb	LD	SG/PWM	OV	TPWM	RPWM	CL	CS	VPWM	IPWM	PPWM
●	●		●	●	●	●			●	●	●	●	●	●	

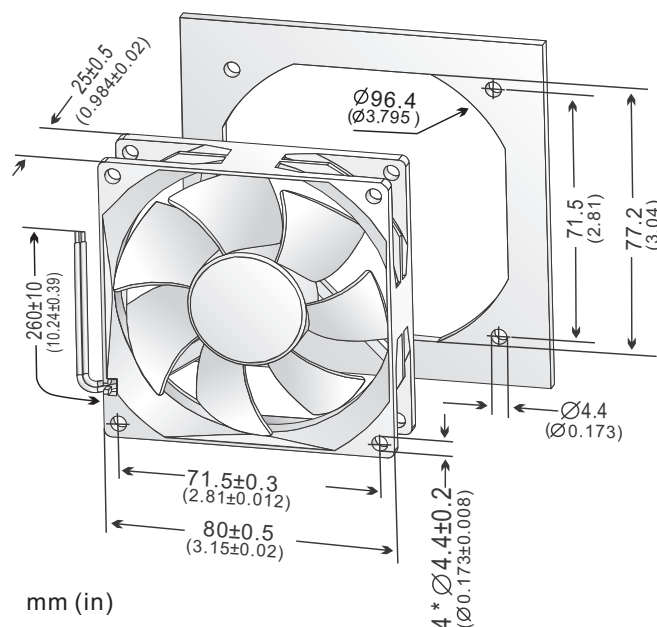
To add a desired feature to a fan, replace the Part Number suffix "x" with the available feature listed. (e.g. to add feature "2a" to fan Part Number R8025H24BPLBx-7, change the Part Number to R8025H24BPLB2a-7).

Part Number	Voltage (VDC)	Current (A)	Power (Watts)	Speed (RPM)	Air Flow (Q)		Pressure (P)		Noise (dBA)	Unit Weight (QTY/CTN)
					(CFM)	(m³/min)	(mmAq)	(in H ₂ O)		
R8025X05BPLBx-7	05 (04~06)	0.750	3.75	3600	43.49	1.232	4.94	0.195	37.85	83g (135pcs)
R8025H05BPLBx-7		0.360	1.80	3000	36.26	1.027	3.46	0.136	32.11	
R8025M05BPLBx-7		0.260	1.30	2600	31.64	0.896	2.61	0.103	28.56	
R8025L05BPLBx-7		0.170	0.85	2200	26.63	0.754	1.87	0.074	23.79	
R8025Y12BPLBx-7	12 (07~14)	0.345	4.14	4400	53.71	1.521	7.26	0.286	40.55	83g (135pcs)
R8025X12BPLBx-7		0.202	2.43	3600	43.49	1.232	4.94	0.195	37.85	
R8025H12BPLBx-7		0.133	1.60	3000	36.26	1.027	3.46	0.136	32.11	
R8025M12BPLBx-7		0.085	1.02	2600	31.64	0.896	2.61	0.103	28.56	
R8025L12BPLBx-7		0.061	0.73	2200	26.63	0.754	1.87	0.074	23.79	
R8025Y24BPLBx-7	24 (15~27)	0.201	4.82	4400	53.71	1.521	7.26	0.286	40.55	83g (135pcs)
R8025X24BPLBx-7		0.115	2.76	3600	43.49	1.232	4.94	0.195	37.85	
R8025H24BPLBx-7		0.103	2.48	3000	36.26	1.027	3.46	0.136	32.11	
R8025M24BPLBx-7		0.070	1.68	2600	31.64	0.896	2.61	0.103	28.56	
R8025L24BPLBx-7		0.033	0.78	2200	26.63	0.754	1.87	0.074	23.79	

PERFORMANCE CURVES



DIMENSIONAL DRAWING



- All fans listed refer to double ball bearing fans; sleeve bearing fans may consume about 10% more power for the same speed.
- Noise measurements are taken with a background noise of 16.8 dBA.
- Please see "Available Features Index" for a summary explanation of each feature
- Specifications are subject to change without notice.



sales@pelonistech.com • T888.546.0524 • F610.647.0319