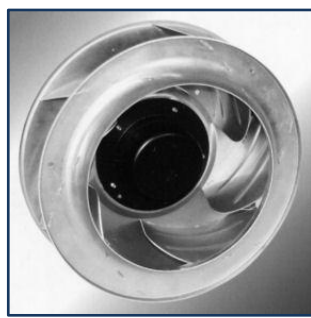


DC Backward Curve Motorized Impeller

R1D310 Centrifugal Fan

310mm (12.2in)



GENERAL SPECIFICATIONS

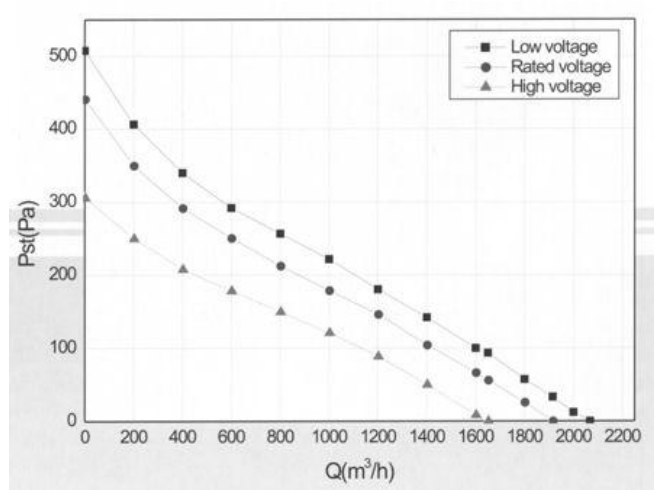
- Life:** 40,000 hours
- IP Rating:** IP42
- Operating Temp:** -20°C~+60°C
- Lead Wires:** 20 AWG

FEATURES

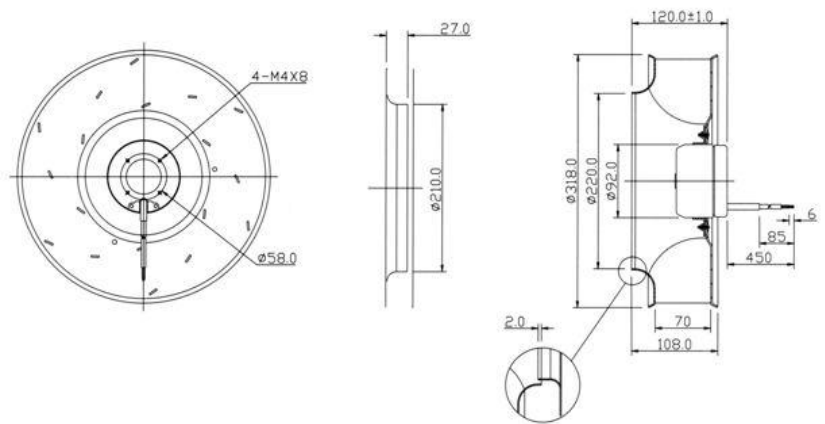
- High efficiency inlet design
- Lubricated maintenance-free ball bearings
- Vibration-free operation
- Precision balanced for superior performance
- Compact and rugged construction

model	bearings (V)	voltage (V)	range (VDC)	power (W)	speed (RPM)	airflow (m ³ /h)	airflow (CFM)	pressure (Pa)	max ambient temp (°C)	noise (dBA)
R1D310-AB	Ball	24	16 to 28	90	1600	1910	1124	480	60	64
R1D310-AA	Ball	48	36 to 57	90	1600	1910	1124	480	60	64

Performance Curves



Dimensions (mm)



Applications

HVAC, cabinet cooling, medical equipment, military applications, air filtration, semiconductors, commercial and industrial cooling.



T 1.888.546.0524 • F 1.610.647.0319
 email: sales@pelonistech.com • www.pelonistechnologies.com

