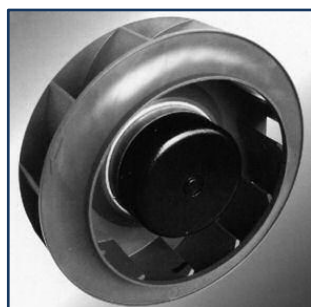


DC Backward Curve Motorized Impeller

R1D220 Centrifugal Fan

220mm (8.6in)



GENERAL SPECIFICATIONS

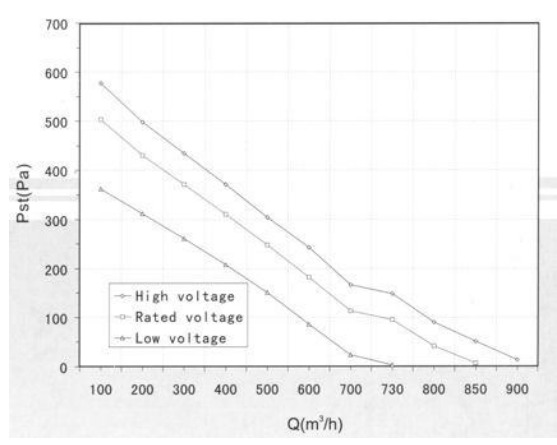
- Impeller:** PA66+20%GF
- Life:** 40,000 hours
- IP Rating:** IP42
- Operating Temp:** -20°C~+60°C
- Lead Wires:** 20 AWG

FEATURES

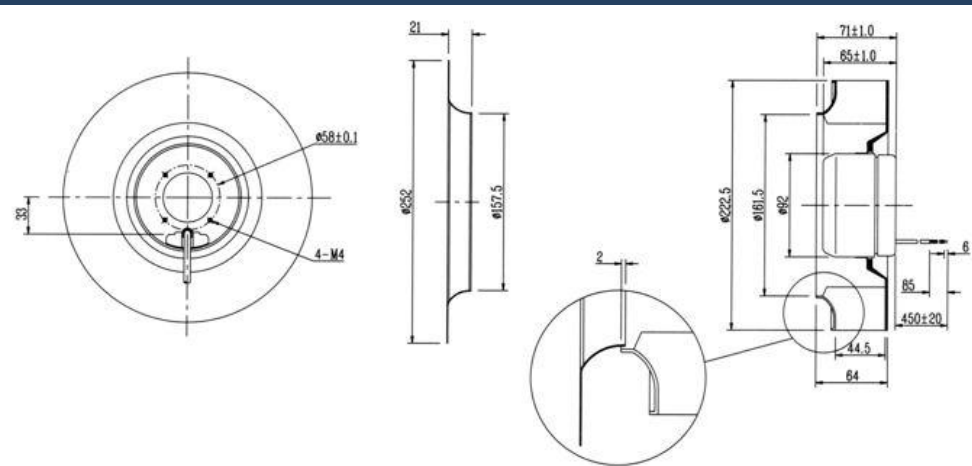
- High efficiency inlet design
- Lubricated maintenance-free ball bearings
- Vibration-free operation
- Precision balanced for superior performance
- Compact and rugged construction

| model | bearings (V) | voltage (V) | range (VDC) | power (W) | speed (RPM) | airflow (m ³ /h) | airflow (CFM) | pressure (Pa) | max ambient temp (°C) | noise (dBA) |
|-----------|--------------|-------------|-------------|-----------|-------------|-----------------------------|---------------|---------------|-----------------------|-------------|
| R1D220-AB | Ball | 24 | 16 to 28 | 106 | 3150 | 1000 | 589 | 630 | 60 | 76 |
| R1D220-AA | Ball | 48 | 36 to 57 | 100 | 3150 | 1000 | 589 | 630 | 60 | 73 |

Performance Curves



Dimensions (mm)



Applications

HVAC, cabinet cooling, medical equipment, military applications, air filtration, semiconductors, commercial and industrial cooling.



T 1.888.546.0524 • F 1.610.647.0319
 email: sales@pelonistech.com • www.pelonistechnologies.com

