

- RoHS
- UL
- cUL
- CE

FRAME: Thermoplastic, PBT (30%), UL94-V0
IMPELLER: Thermoplastic PBT (GF 15%), UL94-V0
BEARING SYSTEM: Ball Bearing or Sleeve Bearing
OPERATING LIFE: Ball: 50,000 hrs; Sleeve: 30,000 hrs
OPERATING TEMP: -10°C to +70°C @35-85% RH

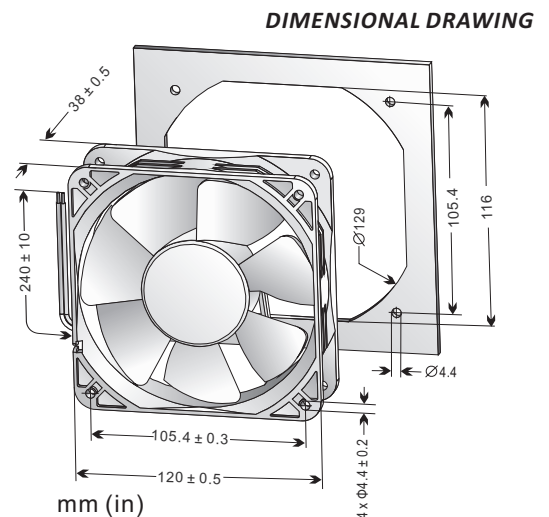
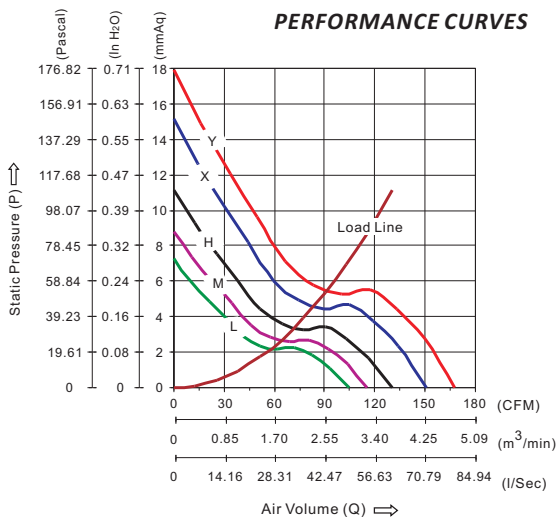
LEAD WIRE: UL 1007, AWG 24/240mm, Red(+), Black(-)
PROTECTION: Locked rotor protected for minimum 72 hours



Available Features															
1a IR	1b AS	1c MS	2a FG	2b RD	2c Rdb	2d LD	3 SG/PWM	4 OV	5a TPWM	5b RPWM	6 CL	7 CS	8a VPWM	8b IPWM	8c PPWM
●	●		●	●	●	●		●	●	●	●	●	●	●	●

To add a desired feature to a fan, replace the Part Number suffix "x" with the available feature listed. (e.g. to add feature "2a" to fan Part Number R1238H24BPLBx-7, change the Part Number to R1238H24BPLB2a-7).

Part Number	Voltage (VDC)	Current (A)	Power (Watts)	Speed (RPM)	Air Flow (Q)		Pressure (P)		Noise (dBA)	Unit Weight (QTY/CTN)
					(CFM)	(m³/min)	(mmAq)	(in H ₂ O)		
R1238H05BPLBx-7	05 (04~06)	1.650	8.25	3250	130.45	3.694	11.14	0.439	46.13	315g (40pcs)
R1238M05BPLBx-7		1.187	5.93	2900	115.24	3.263	8.81	0.347	42.96	
R1238L05BPLBx-7		0.801	4.00	2600	104.46	2.958	7.26	0.286	39.83	
R1238Y12BPLBx-7	12 (07~14)	1.600	19.20	4200	167.66	4.748	17.92	0.706	52.99	315g (40pcs)
R1238X12BPLBx-7		0.910	10.92	3750	150.71	4.268	15.17	0.597	50.32	
R1238H12BPLBx-7		0.600	7.20	3250	130.45	3.694	11.14	0.439	46.13	
R1238M12BPLBx-7		0.410	4.92	2900	115.24	3.263	8.81	0.347	42.96	
R1238L12BPLBx-7		0.290	3.48	2600	104.46	2.958	7.26	0.286	39.83	
R1238Y24BPLBx-7	24 (15~27)	0.614	14.73	4200	167.66	4.748	17.92	0.706	52.99	315g (40pcs)
R1238X24BPLBx-7		0.460	11.04	3750	150.71	4.268	15.17	0.597	50.32	
R1238H24BPLBx-7		0.299	7.18	3250	130.45	3.694	11.14	0.439	46.13	
R1238M24BPLBx-7		0.249	5.97	2900	115.24	3.263	8.81	0.347	42.96	
R1238L24BPLBx-7		0.159	3.82	2600	104.46	2.958	7.26	0.286	39.83	
R1238Y48BPLBx-7	48 (30~57)	0.360	17.28	4200	167.66	4.748	17.92	0.706	52.99	315g (40pcs)
R1238X48BPLBx-7		0.226	10.86	3750	150.71	4.268	15.17	0.597	50.32	
R1238H48BPLBx-7		0.148	7.09	3250	130.45	3.694	11.14	0.439	46.13	
R1238M48BPLBx-7		0.130	6.24	2900	115.24	3.263	8.81	0.347	42.96	
R1238L48BPLBx-7		0.082	3.93	2600	104.46	2.958	7.26	0.286	39.83	



- All fans listed refer to double ball bearing fans; sleeve bearing fans may consume about 10% more power for the same speed.
- Noise measurements are taken with a background noise of 16.8 dBA.
- Please see "Available Features Index" for a summary explanation of each feature
- Specifications are subject to change without notice.

Copyright 2009 Pelonis Technologies, Inc. All rights reserved.