

FRAME: Thermoplastic, PBT (30%), UL94-V0
IMPELLER: Thermoplastic PBT (GF 15%), UL94-V0
BEARING SYSTEM: Ball Bearing or Sleeve Bearing
OPERATING LIFE: Ball: 50,000 hrs; Sleeve: 30,000 hrs
OPERATING TEMP: -10°C to +70°C @35-85% RH

LEAD WIRE: UL 1007, AWG 24/210mm, Red(+), Black(-)
PROTECTION: Locked rotor protected for minimum 72 hours

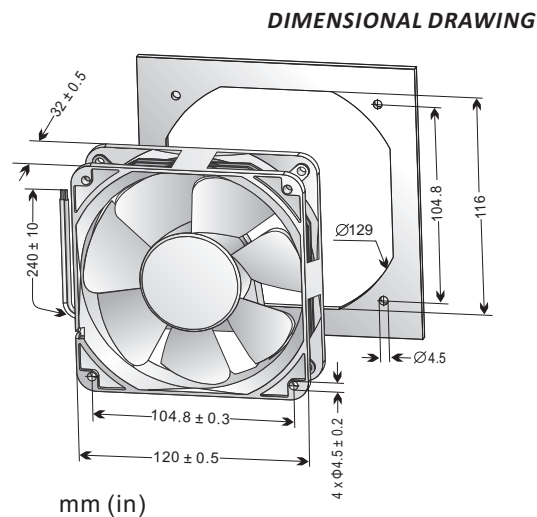
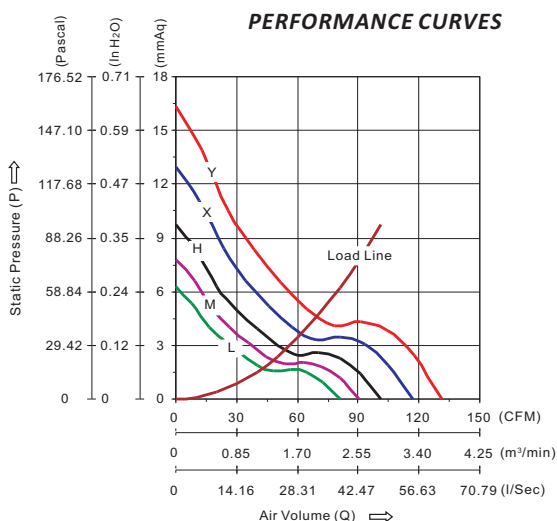


- RoHS
- UL
- cUL
- CE

Available Features															
1a	1b	1c	2a	2b	2c	2d	3	4	5a	5b	6	7	8a	8b	8c
IR	AS	MS	FG	RD	Rdb	LD	SG/PWM	OV	TPWM	RPWM	CL	CS	VPWM	IPWM	PPWM
●	●		●	●	●	●		●	●	●	●	●	●	●	●

To add a desired feature to a fan, replace the Part Number suffix "x" with the available feature listed. (e.g. to add feature "2a" to fan Part Number R1232H24BPLBx-7, change the Part Number to R1232H24BPLB2a-7).

Part Number	Voltage (VDC)	Current (A)	Power (Watts)	Speed (RPM)	Air Flow (Q)		Pressure (P)		Noise (dBA)	Unit Weight (QTY/CTN)
					(CFM)	(m³/min)	(mmAq)	(in H₂O)		
R1232H05BPLBx-7	05 (04~06)	1.170	5.85	3250	101.08	2.862	9.76	0.384	43.32	280g (40pcs)
R1232M05BPLBx-7		0.820	4.10	2900	90.28	2.556	7.79	0.307	40.09	
R1232L05BPLBx-7		0.600	3.00	2600	80.96	2.293	6.26	0.247	37.49	
R1232Y12BPLBx-7	12 (07~14)	0.760	9.12	4200	131.45	3.722	16.34	0.643	49.71	280g (40pcs)
R1232X12BPLBx-7		0.550	6.60	3750	117.21	3.319	13.00	0.512	46.69	
R1232H12BPLBx-7		0.390	4.68	3250	101.08	2.862	9.76	0.384	43.32	
R1232M12BPLBx-7		0.290	3.48	2900	90.28	2.556	7.79	0.307	40.09	
R1232L12BPLBx-7		0.200	2.40	2600	80.96	2.293	6.26	0.247	37.49	
R1232Y24BPLBx-7	24 (15~27)	0.360	8.64	4200	131.45	3.722	16.34	0.643	49.71	280g (40pcs)
R1232X24BPLBx-7		0.280	6.72	3750	117.21	3.319	13.00	0.512	46.69	
R1232H24BPLBx-7		0.190	4.56	3250	101.08	2.862	9.76	0.384	43.32	
R1232M24BPLBx-7		0.150	3.60	2900	90.28	2.556	7.79	0.307	40.09	
R1232L24BPLBx-7		0.120	2.88	2600	80.96	2.293	6.26	0.247	37.49	
R1232Y48BPLBx-7	48 (30~57)	0.180	8.64	4200	131.45	3.722	16.34	0.643	49.71	280g (40pcs)
R1232X48BPLBx-7		0.130	6.24	3750	117.21	3.319	13.00	0.512	46.69	
R1232H48BPLBx-7		0.090	4.32	3250	101.08	2.862	9.76	0.384	43.32	
R1232M48BPLBx-7		0.080	3.84	2900	90.28	2.556	7.79	0.307	40.09	
R1232L48BPLBx-7		0.060	2.88	2600	80.96	2.293	6.26	0.247	37.49	



- All fans listed refer to double ball bearing fans; sleeve bearing fans may consume about 10% more power for the same speed.
- Noise measurements are taken with a background noise of 16.8 dBA.
- Please see "Available Features Index" for a summary explanation of each feature
- Specifications are subject to change without notice.

Copyright 2009 Pelonis Technologies, Inc. All rights reserved.