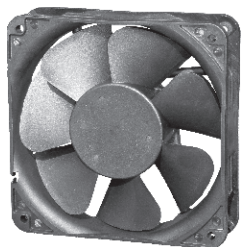


HIGH PERFORMANCE • HIGH EFFICIENCY • ADVANCED PWM



- RoHS
- UL
- cUL
- CE

**FRAME:** Thermoplastic, PBT (30%), UL94-V0  
**IMPELLER:** Thermoplastic PBT (GF 15%), UL94-V0  
**BEARING SYSTEM:** Ball Bearing or Sleeve Bearing  
**OPERATING LIFE:** Ball: 50,000 hrs; Sleeve: 30,000 hrs  
**OPERATING TEMP:** -10°C to +70°C @35-85% RH

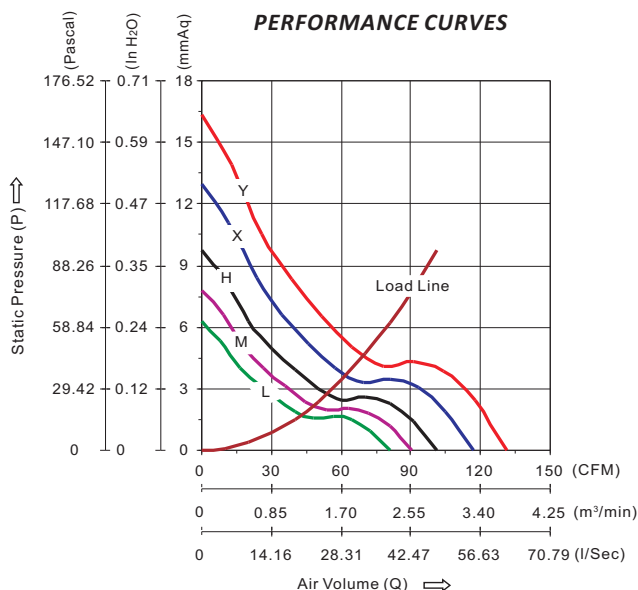
**LEAD WIRE:** UL 1007, AWG 24/210mm, Red(+), Black(-)  
**PROTECTION:** Locked rotor protected for minimum 72 hours



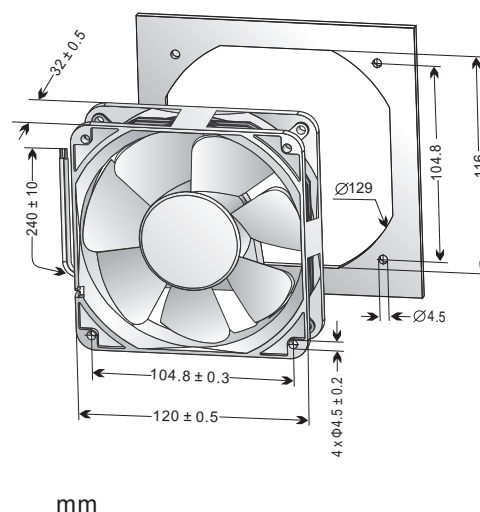
Available Features															
1a	1b	1c	2a	2b	2c	2d	3	4	5a	5b	6	7	8a	8b	8c
IR	AS	MS	FG	RD	Rdb	LD	SG/PWM	OV	TPWM	RPWM	CL	CS	VPWM	IPWM	PPWM
●	●		●	●	●	●		●	●	●	●	●	●	●	●

To add a desired feature to a fan, replace the Part Number suffix "x" with the available feature listed. (e.g. to add feature "2a" to fan Part Number P1232H12BPLBx-7, change the Part Number to P1232H12BPLB2a-7).

Part Number	Voltage (VDC)	Current (A)	Power (Watts)	Speed (RPM)	Air Flow (Q)		Pressure (P)		Noise (dBA)	Unit Weight (QTY/CTN)
					(CFM)	(m <sup>3</sup> /min)	(mmAq)	(in H <sub>2</sub> O)		
P1232Y12BPLBx-7	12 (07~14)	0.750	9.00	4200	131.45	3.722	16.34	0.643	49.71	280g (40pcs)
P1232X12BPLBx-7		0.510	6.12	3750	117.21	3.319	13.00	0.512	46.69	
P1232H12BPLBx-7		0.330	3.96	3250	101.08	2.862	9.76	0.384	43.32	
P1232M12BPLBx-7		0.270	3.24	2900	90.28	2.556	7.79	0.307	40.09	
P1232L12BPLBx-7		0.170	2.04	2600	80.96	2.293	6.26	0.247	37.49	
P1232Y24BPLBx-7	24 (15~27)	0.330	7.92	4200	131.45	3.722	16.34	0.643	49.71	280g (40pcs)
P1232X24BPLBx-7		0.220	5.28	3750	117.21	3.319	13.00	0.512	46.69	
P1232H24BPLBx-7		0.140	3.36	3250	101.08	2.862	9.76	0.384	43.32	
P1232M24BPLBx-7		0.120	2.88	2900	90.28	2.556	7.79	0.307	40.09	
P1232L24BPLBx-7		0.100	2.40	2600	80.96	2.293	6.26	0.247	37.49	
P1232Y48BPLBx-7	48 (30~57)	0.170	8.16	4200	131.45	3.722	16.34	0.643	49.71	280g (40pcs)
P1232X48BPLBx-7		0.130	6.24	3750	117.21	3.319	13.00	0.512	46.69	
P1232H48BPLBx-7		0.070	3.36	3250	101.08	2.862	9.76	0.384	43.32	
P1232M48BPLBx-7		0.060	2.88	2900	90.28	2.556	7.79	0.307	40.09	
P1232L48BPLBx-7		0.050	2.40	2600	80.96	2.293	6.26	0.247	37.49	



DIMENSIONAL DRAWING



- All fans listed refer to double ball bearing fans; sleeve bearing fans may consume about 10% more power for the same speed.
- Noise measurements are taken with a background noise of 16.8 dBA.
- Please see "Available Features Index" for a summary explanation of each feature
- Specifications are subject to change without notice.



sales@pelonistech.com • T888.546.0524 • F610.647.0319