

FRAME: Thermoplastic, PBT (30%), UL94-V0
IMPELLER: Thermoplastic PBT (GF 15%), UL94-V0
BEARING SYSTEM: Ball Bearing or Sleeve Bearing
OPERATING LIFE: Ball: 50,000 hrs; Sleeve: 30,000 hrs
OPERATING TEMP: -10°C to +70°C @35-85% RH

LEAD WIRE: UL 1007, AWG 24/240mm, Red(+), Black(-)
PROTECTION: Locked rotor protected for minimum 72 hours

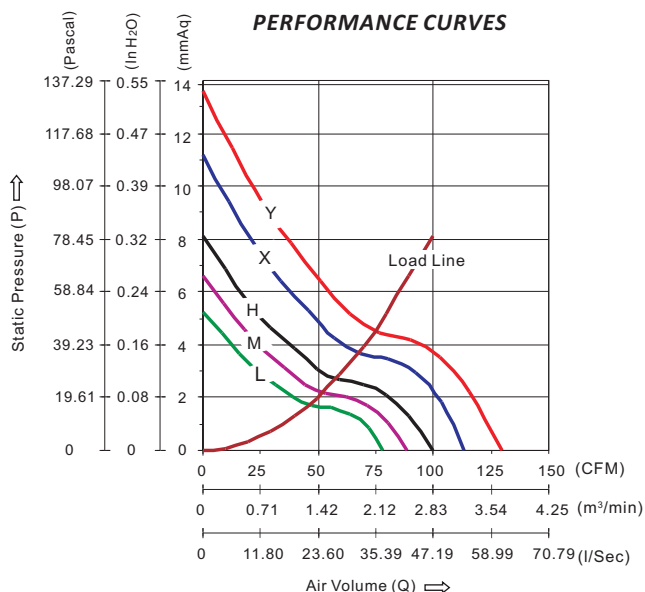


- RoHS
- UL
- cUL
- CE

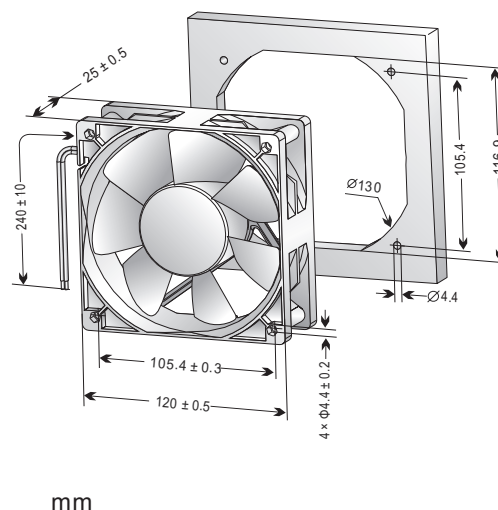
| Available Features | | | | | | | | | | | | | | | |
|--------------------|----|----|----|----|-----|----|--------|----|------|------|----|----|------|------|------|
| 1a | 1b | 1c | 2a | 2b | 2c | 2d | 3 | 4 | 5a | 5b | 6 | 7 | 8a | 8b | 8c |
| IR | AS | MS | FG | RD | Rdb | LD | SG/PWM | OV | TPWM | RPWM | CL | CS | VPWM | IPWM | PPWM |
| ● | ● | | ● | ● | ● | ● | | ● | ● | ● | ● | ● | ● | ● | ● |

To add a desired feature to a fan, replace the Part Number suffix "x" with the available feature listed. (e.g. to add feature "2a" to fan Part Number P1225H12BPLBx-7, change the Part Number to P1225H12BPLB2a-7).

| Part Number | Voltage (VDC) | Current (A) | Power (Watts) | Speed (RPM) | Air Flow (Q) | | Pressure (P) | | Noise (dBA) | Unit Weight (QTY/CTN) |
|-----------------|---------------|-------------|---------------|-------------|--------------|----------|--------------|----------|-------------|-----------------------|
| | | | | | (CFM) | (m³/min) | (mmAq) | (in H₂O) | | |
| P1225Y12BPLBx-7 | 12 (07~14) | 0.622 | 7.46 | 4200 | 129.41 | 3.664 | 13.58 | 0.534 | 50.97 | 205.8g (40pcs) |
| P1225X12BPLBx-7 | | 0.449 | 5.39 | 3750 | 113.47 | 3.213 | 11.17 | 0.440 | 48.45 | |
| P1225H12BPLBx-7 | | 0.301 | 3.61 | 3250 | 99.47 | 2.817 | 8.11 | 0.319 | 43.02 | |
| P1225M12BPLBx-7 | | 0.231 | 2.77 | 2900 | 88.15 | 2.496 | 6.59 | 0.259 | 40.09 | |
| P1225L12BPLBx-7 | | 0.158 | 1.90 | 2600 | 78.16 | 2.213 | 5.25 | 0.207 | 37.19 | |
| P1225Y24BPLBx-7 | 24 (15~27) | 0.304 | 7.30 | 4200 | 129.41 | 3.664 | 13.58 | 0.534 | 50.97 | 205.8g (40pcs) |
| P1225X24BPLBx-7 | | 0.207 | 4.97 | 3750 | 113.47 | 3.213 | 11.17 | 0.440 | 48.45 | |
| P1225H24BPLBx-7 | | 0.140 | 3.37 | 3250 | 99.47 | 2.817 | 8.11 | 0.319 | 43.02 | |
| P1225M24BPLBx-7 | | 0.095 | 2.27 | 2900 | 88.15 | 2.496 | 6.59 | 0.259 | 40.09 | |
| P1225L24BPLBx-7 | | 0.074 | 1.77 | 2600 | 78.16 | 2.213 | 5.25 | 0.207 | 37.19 | |
| P1225Y48BPLBx-7 | 48 (30~57) | 0.172 | 8.27 | 4200 | 129.41 | 3.664 | 13.58 | 0.534 | 50.97 | 205.8g (40pcs) |
| P1225X48BPLBx-7 | | 0.124 | 5.96 | 3750 | 113.47 | 3.213 | 11.17 | 0.440 | 48.45 | |
| P1225H48BPLBx-7 | | 0.080 | 3.82 | 3250 | 99.47 | 2.817 | 8.11 | 0.319 | 43.02 | |
| P1225M48BPLBx-7 | | 0.064 | 3.06 | 2900 | 88.15 | 2.496 | 6.59 | 0.259 | 40.09 | |
| P1225L48BPLBx-7 | | 0.043 | 2.05 | 2600 | 78.16 | 2.213 | 5.25 | 0.207 | 37.19 | |



DIMENSIONAL DRAWING



- All fans listed refer to double ball bearing fans; sleeve bearing fans may consume about 10% more power for the same speed.
- Noise measurements are taken with a background noise of 16.8 dBA.
- Please see "Available Features Index" for a summary explanation of each feature
- Specifications are subject to change without notice.