

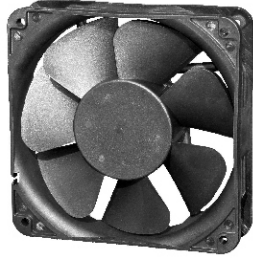


1232-7

120 x 120 x 32mm (4.72 x 4.72 x 1.26in)

DC Fans

www.pelonistechnologies.com



FRAME: Thermoplastic, PBT (30%), UL94-V0
IMPELLER: Thermoplastic PBT (GF 15%), UL94-V0
BEARING SYSTEM: Ball Bearing or Sleeve Bearing
OPERATING LIFE: Ball: 50,000 hrs; Sleeve: 30,000 hrs
OPERATING TEMP: -10°C to +70°C @35-85% RH

LEAD WIRE: UL 1007, AWG 24/210mm, Red(+), Black(-)
PROTECTION: Locked rotor protected for minimum 72 hours



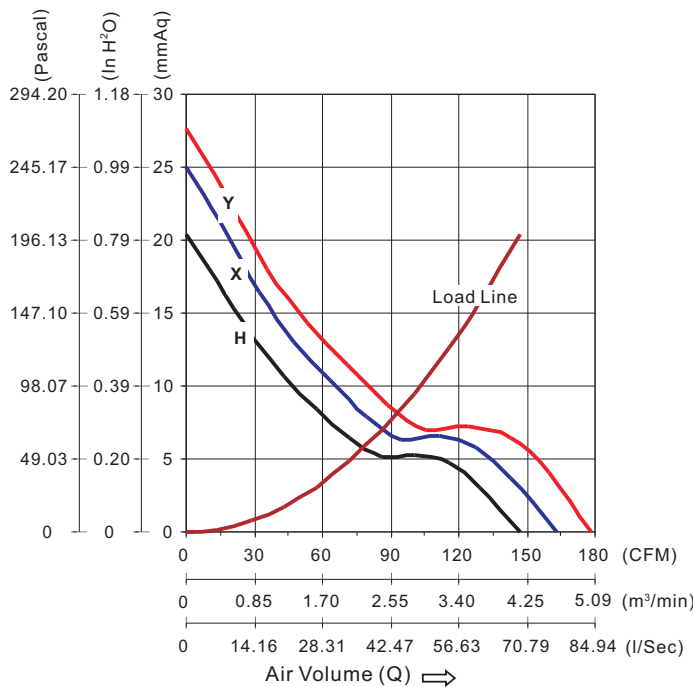
- RoHS
- UL
- cUL
- CE

Available Features															
1a	1b	1c	2a	2b	2c	2d	3	4	5a	5b	6	7	8a	8b	8c
IR	AS	MS	FG	RD	Rdb	LD	SG/PWM	OV	TPWM	RPWM	CL	CS	VPWM	IPWM	PPWM
●	●		●	●	●	●		●	●	●	●	●	●	●	●

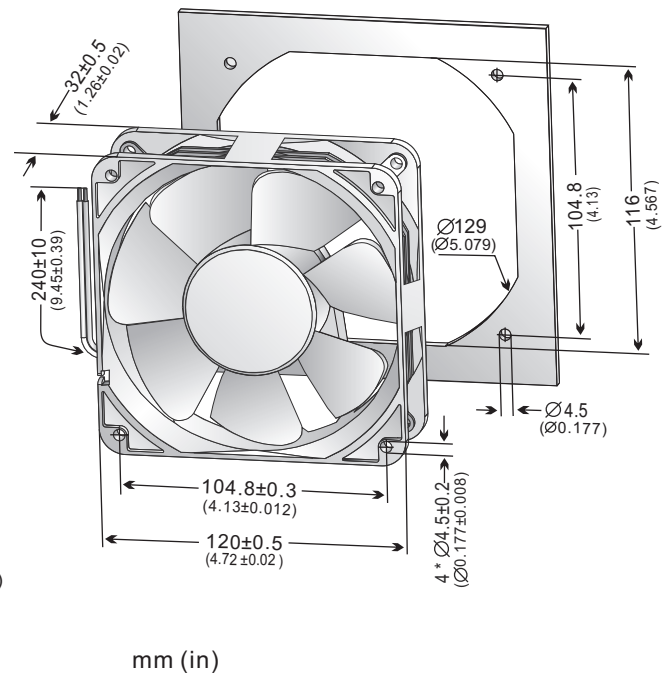
To add a desired feature to a fan, replace the Part Number suffix "x" with the available feature listed. (e.g. to add feature "2a" to fan Part Number K1232X12BPLBx-7, change the Part Number to K1232X12BPLB2a-7).

Part Number	Voltage (VDC)	Current (A)	Power (Watts)	Speed (RPM)	Air Flow (Q)		Pressure (P)		Noise (dBA)	Unit Weight (QTY/CTN)
					(CFM)	(m³/min)	(mmAq)	(in H ₂ O)		
K1232Y12BPLBx-7	12 (07~14)	1.473	17.68	5800	178.59	5.057	27.61	1.087	59.74	280g (40pcs)
K1232X12BPLBx-7		1.062	2.74	5200	162.97	4.615	25.04	0.986	57.60	
K1232H12BPLBx-7		0.784	9.41	4700	147.30	4.171	20.46	0.805	54.35	
K1232Y24BPLBx-7	24 (15~27)	0.710	17.03	5800	178.59	5.057	27.61	1.087	59.74	280g (40pcs)
K1232X24BPLBx-7		0.578	13.86	5200	162.97	4.615	25.04	0.986	57.60	
K1232H24BPLBx-7		0.378	9.08	4700	147.30	4.171	20.46	0.805	54.35	
K1232Y48BPLBx-7	48 (30~57)	0.347	16.65	5800	178.59	5.057	27.61	1.087	59.74	280g (40pcs)
K1232X48BPLBx-7		0.279	13.39	5200	162.97	4.615	25.04	0.986	57.60	
K1232H48BPLBx-7		0.203	9.75	4700	147.30	4.171	20.46	0.805	54.35	

PERFORMANCE CURVES



DIMENSIONAL DRAWING



EXTRA HIGH PERFORMANCE • EFFICIENCY • ADVANCED PWM

1232-7

K03

- All fans listed refer to double ball bearing fans; sleeve bearing fans may consume about 10% more power for the same speed.
- Noise measurements are taken with a background noise of 16.8 dBA.
- Please see "Available Features Index" for a summary explanation of each feature
- Specifications are subject to change without notice.

Copyright 2009 Pelonis Technologies, Inc. All rights reserved.



sales@pelonistech.com • T888.546.0524 • F610.647.0319