

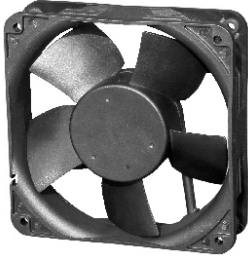


1232-5

120 x 120 x 32mm (4.72 x 4.72 x 1.26in)

DC Fans

www.pelonistechnologies.com



FRAME: Thermoplastic, PBT (30%), UL94-V0
IMPELLER: Thermoplastic PBT (GF 15%), UL94-V0
BEARING SYSTEM: Ball Bearing or Sleeve Bearing
OPERATING LIFE: Ball: 50,000 hrs; Sleeve: 30,000 hrs
OPERATING TEMP: -10°C to +70°C @35-85% RH

LEAD WIRE: UL 1007, AWG 24/240mm, Red(+), Black(-)
PROTECTION: Locked rotor protected for minimum 72 hours



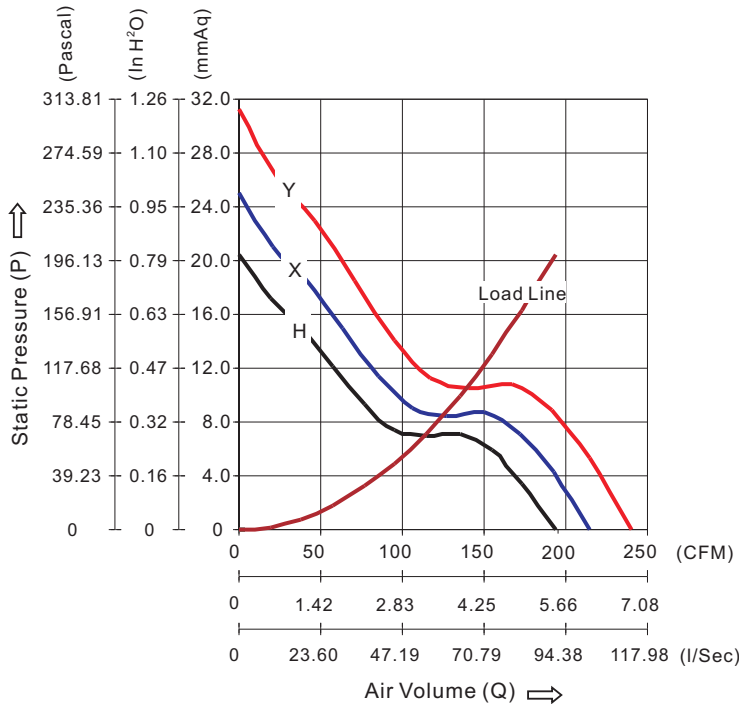
- RoHS
- UL
- cUL
- CE

Available Features															
1a	1b	1c	2a	2b	2c	2d	3	4	5a	5b	6	7	8a	8b	8c
IR	AS	MS	FG	RD	Rdb	LD	SG/PWM	OV	TPWM	RPWM	CL	CS	VPWM	IPWM	PPWM
●	●		●	●	●	●		●	●	●	●	●	●	●	●

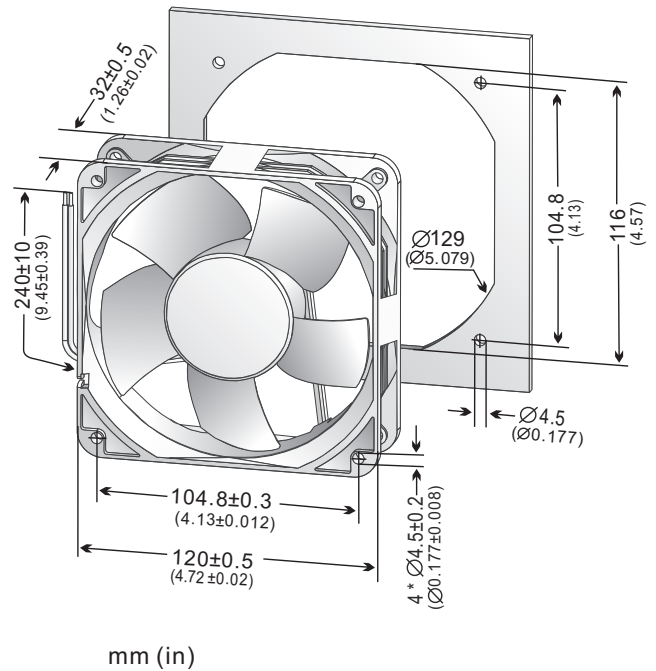
To add a desired feature to a fan, replace the Part Number suffix "x" with the available feature listed. (e.g. to add feature "2a" to fan Part Number K1232X12BPLBx-5, change the Part Number to K1232X12BPLB2a-5).

Part Number	Voltage (VDC)	Current (A)	Power (Watts)	Speed (RPM)	Air Flow (Q)		Pressure (P)		Noise (dBA)	Unit Weight (QTY/CTN)
					(CFM)	(m ³ /min)	(mmAq)	(in H ₂ O)		
K1232X12BPLBx-5	12 (07~14)	1.608	19.30	5200	215.11	6.091	25.09	0.988	60.73	280g (40pcs)
K1232H12BPLBx-5		1.198	14.37	4700	194.42	5.505	20.50	0.807	58.10	
K1232Y24BPLBx-5	24 (15~27)	1.430	34.32	5800	239.93	6.794	31.22	1.229	64.51	280g (40pcs)
K1232X24BPLBx-5		0.756	18.15	5200	215.11	6.091	25.09	0.988	60.73	
K1232H24BPLBx-5		0.562	13.50	4700	194.42	5.505	20.50	0.807	58.10	
K1232Y48BPLBx-5	48 (30~57)	0.553	19.36	5800	239.93	6.794	31.22	1.229	64.51	280g (40pcs)
K1232X48BPLBx-5		0.403	19.358	5200	215.11	6.091	25.09	0.988	60.73	
K1232H48BPLBx-5		0.334	16.05	4700	194.42	5.505	20.50	0.807	58.10	

PERFORMANCE CURVES



DIMENSIONAL DRAWING



- All fans listed refer to double ball bearing fans; sleeve bearing fans may consume about 10% more power for the same speed.
- Noise measurements are taken with a background noise of 16.8 dBA.
- Please see "Available Features Index" for a summary explanation of each feature
- Specifications are subject to change without notice.



sales@pelonistech.com • T888.546.0524 • F610.647.0319