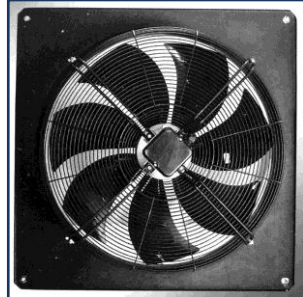


FZ800B Axial Fan

800mm (31.5in)



GENERAL SPECIFICATIONS

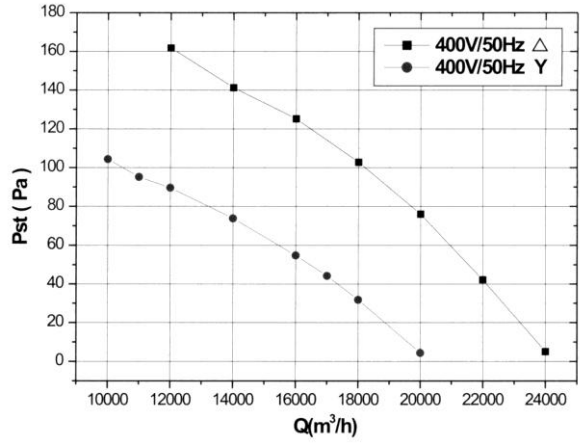
- Impeller:** SPCD
- Life:** 40,000 hours
- IP Rating:** IP54
- Operating Temp:** -30°C~+60°C
- Lead Wires:** 18 AWG
- Insulation Class:** F

FEATURES

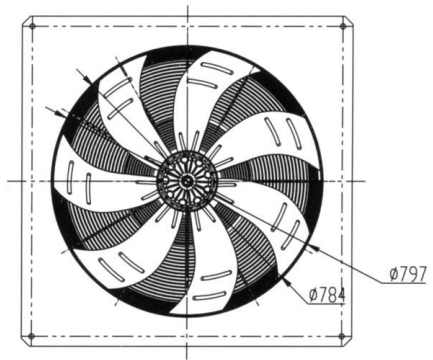
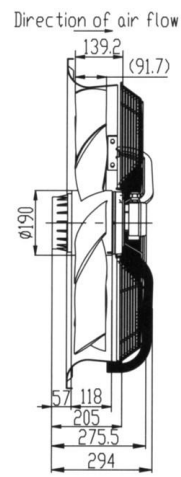
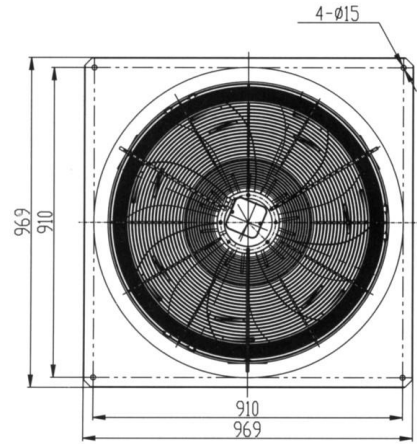
- High efficiency design
- Lubricated maintenance-free ball bearings
- Vibration-free operation
- Precision balanced for superior performance
- Compact and rugged construction

model	bearings (V)	voltage (V)	frequency (Hz)	power (W)	current (A)	speed (RPM)	airflow (m ³ /h)	airflow (CFM)	pressure (Pa)	connection
FZ800B	Ball	3-400	50	2000/1250	4.0/2.3	880/660	25000/20000	14714/11772	160/95	Δ/Y

Performance Curves



Dimensions (mm)



Applications

HVAC, cabinet cooling, medical equipment, military applications, air filtration, semiconductors, commercial and industrial cooling.



T 1.888.546.0524 • F 1.610.647.0319
 email: sales@pelonistech.com • www.pelonistechnologies.com

