

AC Dual Shaft

FS146 Series Centrifugal Fan

146mm (5.7in)



GENERAL SPECIFICATIONS

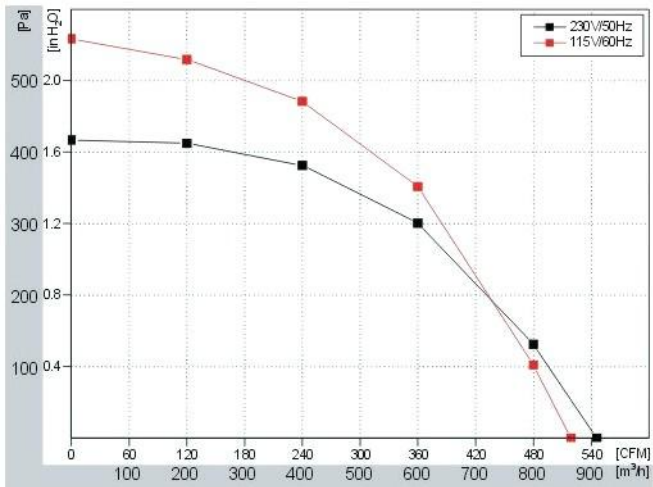
- Impeller:** Plastic/Galvanized Steel
- Life:** 40,000 hours
- IP Rating:** IP20
- Operating Temp:** -25°C~+40°C
- Bearings:** Sleeve

FEATURES

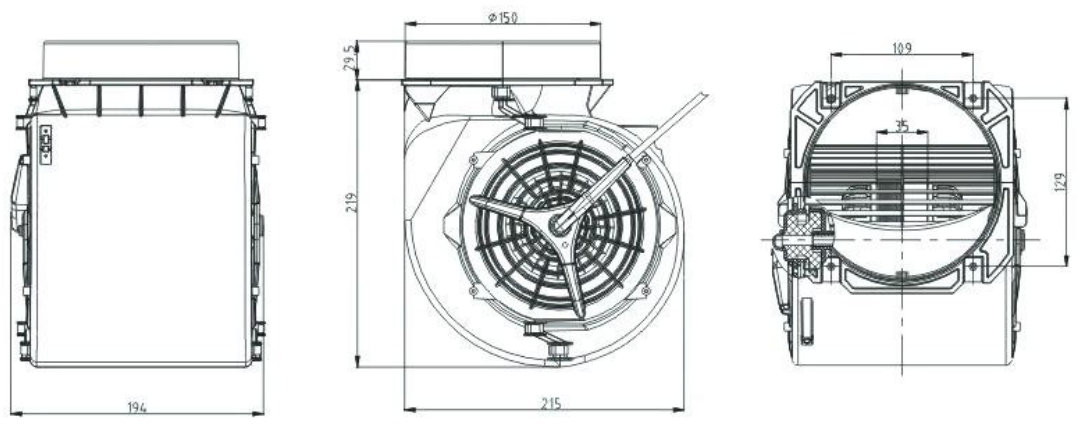
- High efficiency inlet design
- Lubricated maintenance-free sleeve bearings
- Vibration-free operation
- Precision balanced for superior performance
- Compact and rugged construction

model	voltage (V)	freq (Hz)	current (A)	power (W)	speed (RPM)	airflow (m ³ /h)	airflow (CFM)	pressure (Pa)	capacitor μF	insulation class
FS146B	230	50	1.4	310	1800	900	530	415	10/450	F
FS146C	115	60	3.0	320	1750	800	471	570	35/250	F

Performance Curves



Dimensions (mm)



Applications

HVAC, cabinet cooling, medical equipment, military applications, air filtration, semiconductors, commercial and industrial cooling.



T 1.888.546.0524 • F 1.610.647.0319
 email: sales@pelonistech.com • www.pelonistechnologies.com

