

AC Backward Curve

F225 Series Centrifugal Fan

225mm (8.86in)



GENERAL SPECIFICATIONS

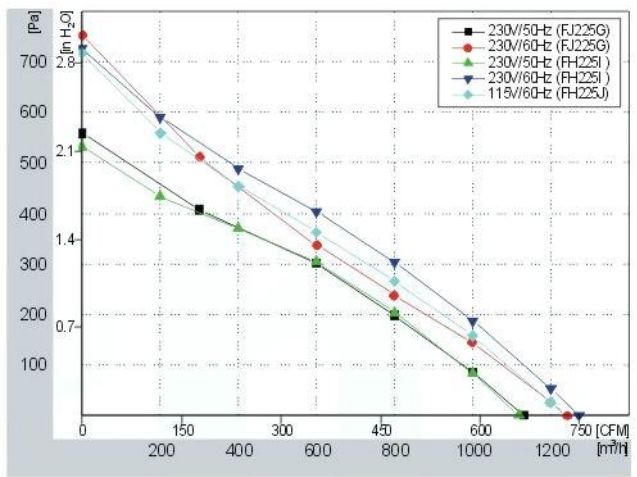
- Impeller:** PA66+25%GF
- Life:** 40,000 hours
- IP Rating:** IP44
- Operating Temp:** -25°C~+40°C
- Bearings:** Ball

FEATURES

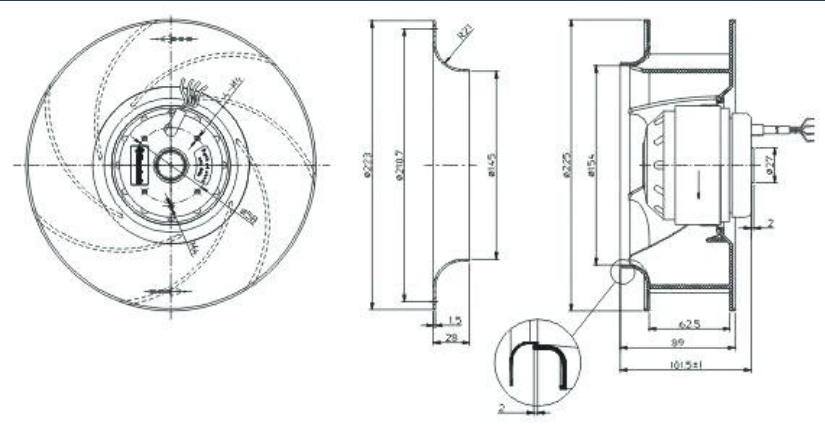
- High efficiency inlet design
- Lubricated maintenance-free ball bearings
- Vibration-free operation
- Precision balanced for superior performance
- Compact and rugged construction

model	voltage (V)	freq (Hz)	current (A)	power (W)	speed (RPM)	airflow (m ³ /h)	airflow (CFM)	pressure (Pa)	capacitor μF	insulation class
FJ225G	230	50/60	0.67/0.8	142/183	2600/2900	1080/1210	636/712	556/760	4/450	F
FH225I	230	50/60	0.8/0.86	147/195	2800/3100	1110/1270	653/747	535/635	5/450	F
FH225J	115	60	1.7	180	3050	1200	706	620	20/250	F

Performance Curves



Dimensions (mm)



Applications

HVAC, cabinet cooling, medical equipment, military applications, air filtration, semiconductors, commercial and industrial cooling.



T 1.888.546.0524 • F 1.610.647.0319
 email: sales@pelonistech.com • www.pelonistech.com

