

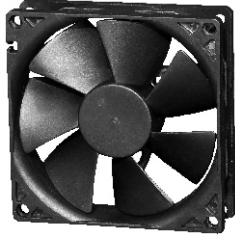
9225-7

92 x 92 x 25mm (3.62 x 3.62 x 0.98in)

DC Fans

www.pelonistechnologies.com

HIGH EFFICIENCY SERIES



FRAME: Thermoplastic, PBT (30%), UL94-V0
IMPELLER: Thermoplastic PBT (GF 15%), UL94-V0
BEARING SYSTEM: Ball Bearing or Sleeve Bearing
OPERATING LIFE: Ball: 50,000 hrs; Sleeve: 30,000 hrs
OPERATING TEMP: -10°C to +70°C @35-85% RH

LEAD WIRE: UL 1007, AWG 24/250mm, Red(+), Black(-)
PROTECTION: Locked rotor protected for minimum 72 hours



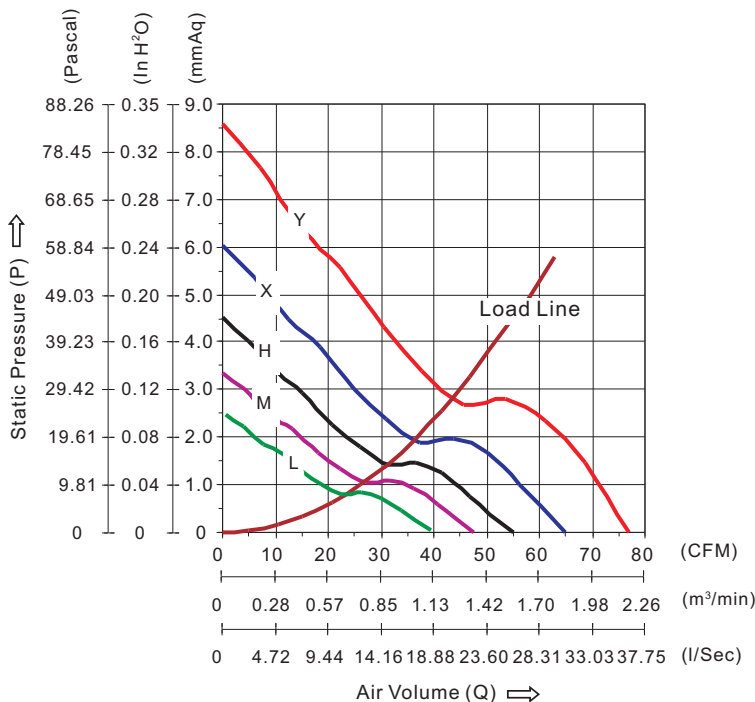
- RoHS
- UL
- cUL
- CE

Available Features															
1a	1b	1c	2a	2b	2c	2d	3	4	5a	5b	6	7	8a	8b	8c
IR	AS	MS	FG	RD	Rdb	LD	SG/PWM	OV	TPWM	RPWM	CL	CS	VPWM	IPWM	PPWM
●	●		●	●	●	●		●	●	●	●	●	●	●	

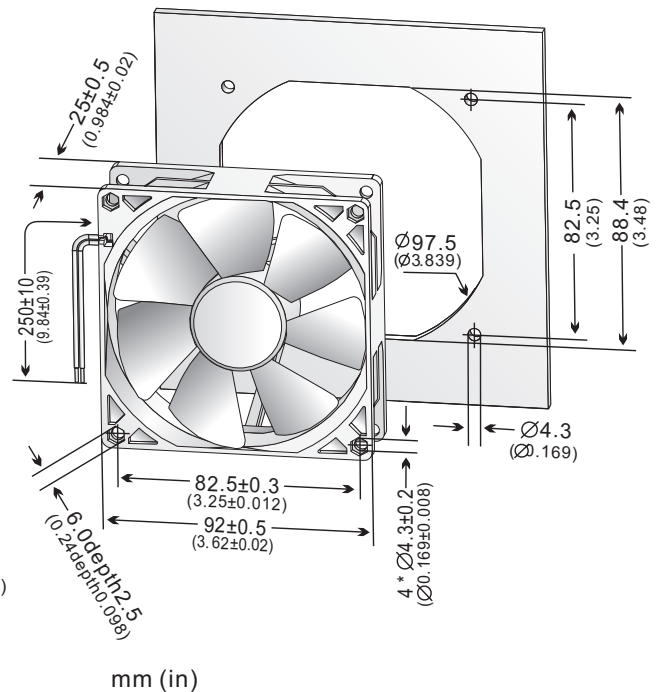
To add a desired feature to a fan, replace the Part Number suffix "x" with the available feature listed. (e.g. to add feature "2a" to fan Part Number D9225H24BPLBx-7, change the Part Number to D9225H24BPLB2a-7).

Part Number	Voltage (VDC)	Current (A)	Power (Watts)	Speed (RPM)	Air Flow (Q)		Pressure (P)		Noise (dBA)	Unit Weight (QTY/CTN)
					(CFM)	(m³/min)	(mmAq)	(in H ₂ O)		
D9225Y24BPLBx-7	24 (15~27)	0.210	5.04	4400	76.99	2.180	8.58	0.338	45.73	106.5g (135pcs)
D9225X24BPLBx-7		0.148	3.56	3600	64.87	1.837	6.02	0.237	41.16	
D9225H24BPLBx-7		0.092	2.21	3000	55.19	1.563	4.51	0.177	35.73	
D9225M24BPLBx-7		0.063	1.50	2600	47.69	1.350	3.36	0.132	31.99	
D9225L24BPLBx-7		0.037	0.88	2200	40.44	1.145	2.42	0.095	27.56	
D9225Y48BPLBx-7	48 (30~57)	0.108	5.18	4400	76.99	2.180	8.58	0.338	45.73	106.5g (135pcs)
D9225X48BPLBx-7		0.073	3.51	3600	64.87	1.837	6.02	0.237	41.16	
D9225H48BPLBx-7		0.062	2.98	3000	55.19	1.563	4.51	0.177	35.73	
D9225M48BPLBx-7		0.044	2.11	2600	47.69	1.350	3.36	0.132	31.99	
D9225L48BPLBx-7		0.027	1.30	2200	40.44	1.145	2.42	0.095	27.56	

PERFORMANCE CURVES



DIMENSIONAL DRAWING



- All fans listed refer to double ball bearing fans; sleeve bearing fans may consume about 10% more power for the same speed.
- Noise measurements are taken with a background noise of 16.8 dBA.
- Please see "Available Features Index" for a summary explanation of each feature
- Specifications are subject to change without notice.



sales@pelonistech.com • T888.546.0524 • F610.647.0319