

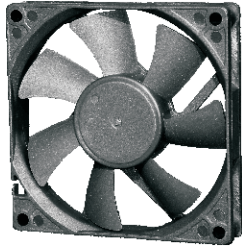
8015-7

80 x 80 x 15mm (3.15 x 3.15 x 0.59in)

DC Fans

www.pelonistechnologies.com

HIGH EFFICIENCY SERIES



- RoHS
- UL
- cUL
- CE

FRAME: Thermoplastic, PBT (30%), UL94-V0
IMPELLER: Thermoplastic PBT (GF 15%), UL94-V0
BEARING SYSTEM: Ball Bearing or Sleeve Bearing
OPERATING LIFE: Ball: 50,000 hrs; Sleeve: 30,000 hrs
OPERATING TEMP: -10°C to +70°C @35-85% RH

LEAD WIRE: UL 1007, AWG 24/260mm, Red(+), Black(-)
PROTECTION: Locked rotor protected for minimum 72 hours

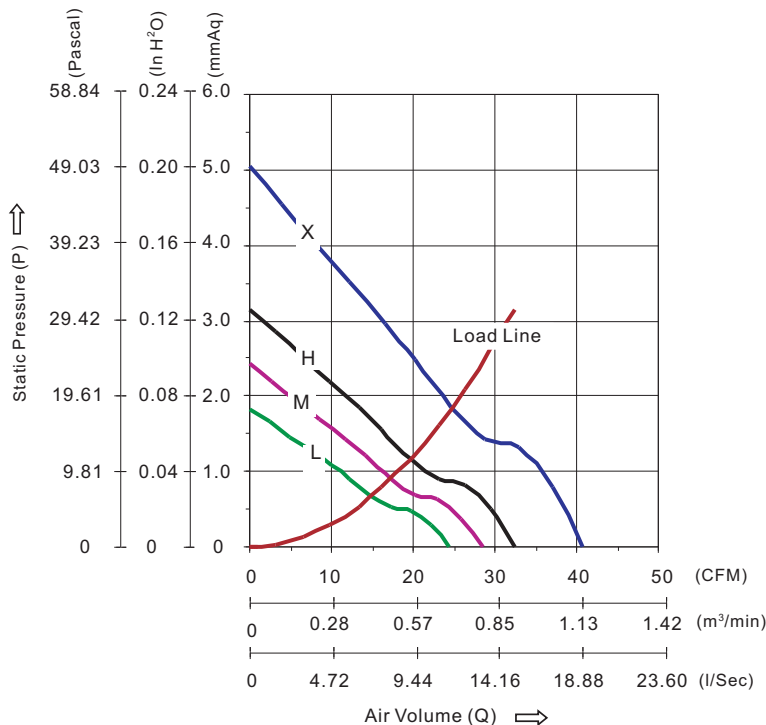


Available Features															
1a	1b	1c	2a	2b	2c	2d	3	4	5a	5b	6	7	8a	8b	8c
IR	AS	MS	FG	RD	Rdb	LD	SG/PWM	OV	TPWM	RPWM	CL	CS	VPWM	IPWM	PPWM
●	●		●	●	●	●		●	●	●					

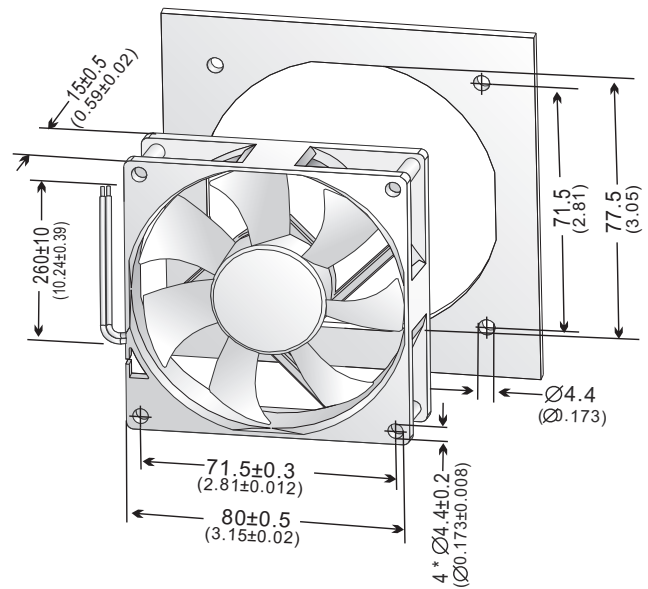
To add a desired feature to a fan, replace the Part Number suffix "x" with the available feature listed. (e.g. to add feature "2a" to fan Part Number D8015H24BPLPx-7, change the Part Number to D8015H24BPLP2a-7).

Part Number	Voltage (VDC)	Current (A)	Power (Watts)	Speed (RPM)	Air Flow (Q)		Pressure (P)		Noise (dBA)	Unit Weight (QTY/CTN)
					(CFM)	(m³/min)	(mmAq)	(in H ₂ O)		
D8015X24BPLPx-7	24 (15~27)	0.133	3.18	4000	40.69	1.152	5.04	0.198	40.14	55g (240pcs)
D8015H24BPLPx-7		0.069	1.66	3200	32.32	0.915	3.15	0.124	34.38	
D8015M24BPLPx-7		0.048	1.14	2800	28.44	0.805	2.43	0.096	31.00	
D8015L24BPLPx-7		0.031	0.74	2400	24.45	0.692	1.84	0.072	27.23	
D8015X48BPLPx-7	48 (30~57)	0.072	3.43	4000	40.69	1.152	5.04	0.198	40.14	55g (240pcs)
D8015H48BPLPx-7		0.039	1.89	3200	32.32	0.915	3.15	0.124	34.38	
D8015M48BPLPx-7		0.036	1.72	2800	28.44	0.805	2.43	0.096	31.00	
D8015L48BPLPx-7		0.022	1.06	2400	24.45	0.692	1.84	0.072	27.23	

PERFORMANCE CURVES



DIMENSIONAL DRAWING



mm (in)

- All fans listed refer to double ball bearing fans; sleeve bearing fans may consume about 10% more power for the same speed.
- Noise measurements are taken with a background noise of 16.8 dBA.
- Please see "Available Features Index" for a summary explanation of each feature
- Specifications are subject to change without notice.

Copyright 2009 Pelonis Technologies, Inc. All rights reserved.



sales@pelonistech.com • T888.546.0524 • F610.647.0319

8015-7

D11