

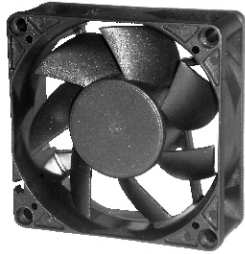
7025-7

70 x 70 x 25mm (2.76 x 2.76 x 0.98in)

DC Fans

www.pelonistech.com

HIGH EFFICIENCY SERIES



- RoHS
- UL
- cUL
- CE

FRAME: Thermoplastic, PBT (30%), UL94-V0
IMPELLER: Thermoplastic PBT (GF 15%), UL94-V0
BEARING SYSTEM: Ball Bearing or Sleeve Bearing
OPERATING LIFE: Ball: 50,000 hrs; Sleeve: 30,000 hrs
OPERATING TEMP: -10°C to +70°C @35-85% RH

LEAD WIRE: UL 1007, AWG 24/280mm, Red(+), Black(-)
PROTECTION: Locked rotor protected for minimum 72 hours



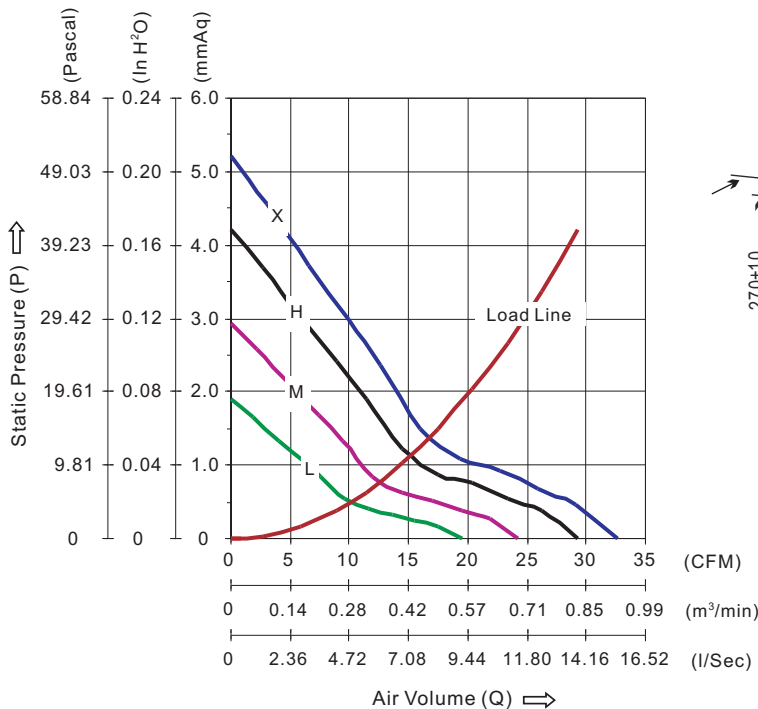
Available Features

1a	1b	1c	2a	2b	2c	2d	3	4	5a	5b	6	7	8a	8b	8c
IR	AS	MS	FG	RD	Rdb	LD	SG/PWM	OV	TPWM	RPWM	CL	CS	VPWM	IPWM	PPWM
●	●		●	●	●	●		●	●	●	●	●	●	●	●

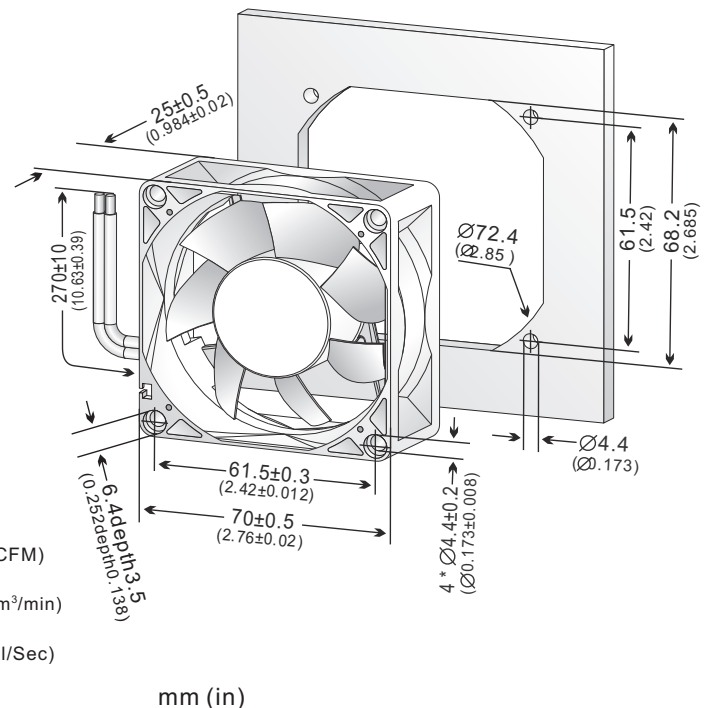
To add a desired feature to a fan, replace the Part Number suffix "x" with the available feature listed. (e.g. to add feature "2a" to fan Part Number D7025H24BPLPx-7, change the Part Number to D7025H24BPLP2a-7).

Part Number	Voltage (VDC)	Current (A)	Power (Watts)	Speed (RPM)	Air Flow (Q)		Pressure (P)		Noise (dBA)	Unit Weight (QTY/CTN)
					(CFM)	(m³/min)	(mmAq)	(in H ₂ O)		
D7025X24BPLPx-7	24 (15~27)	0.096	2.30	4000	32.61	0.923	5.21	0.205	38.19	73g (200pcs)
D7025H24BPLPx-7		0.068	1.63	3600	29.33	0.831	4.22	0.166	35.42	
D7025M24BPLPx-7		0.045	1.08	3000	24.31	0.688	2.95	0.116	30.67	
D7025L24BPLPx-7		0.028	0.67	2400	19.47	0.551	1.89	0.074	24.84	
D7025X48BPLPx-7	48 (30~57)	0.055	2.64	4000	32.61	0.923	5.21	0.205	38.19	73g (200pcs)
D7025H48BPLPx-7		0.043	2.06	3600	29.33	0.831	4.22	0.166	35.42	
D7025M48BPLPx-7		0.028	1.34	3000	24.31	0.688	2.95	0.116	30.67	
D7025L48BPLPx-7		0.015	0.72	2400	19.47	0.551	1.89	0.074	24.84	

PERFORMANCE CURVES



DIMENSIONAL DRAWING



- All fans listed refer to double ball bearing fans; sleeve bearing fans may consume about 10% more power for the same speed.
- Noise measurements are taken with a background noise of 16.8 dBA.
- Please see "Available Features Index" for a summary explanation of each feature
- Specifications are subject to change without notice.

Copyright 2009 Pelonis Technologies, Inc. All rights reserved.



sales@pelonistech.com • T888.546.0524 • F610.647.0319

7025-7

D10