

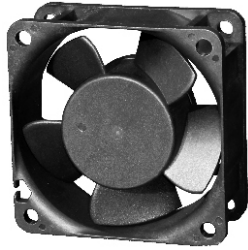
6025-5

60 x 60 x 25mm (2.36 x 2.36 x 0.98in)

DC Fans

www.pelonistech.com

HIGH EFFICIENCY SERIES



- RoHS
- UL
- cUL
- CE

FRAME: Thermoplastic, PBT (30%), UL94-V0
IMPELLER: Thermoplastic PBT (GF 15%), UL94-V0
BEARING SYSTEM: Ball Bearing or Sleeve Bearing
OPERATING LIFE: Ball: 50,000 hrs; Sleeve: 30,000 hrs
OPERATING TEMP: -10°C to +70°C @35-85% RH

LEAD WIRE: UL 1007, AWG 24/280mm, Red(+), Black(-)
PROTECTION: Locked rotor protected for minimum 72 hours

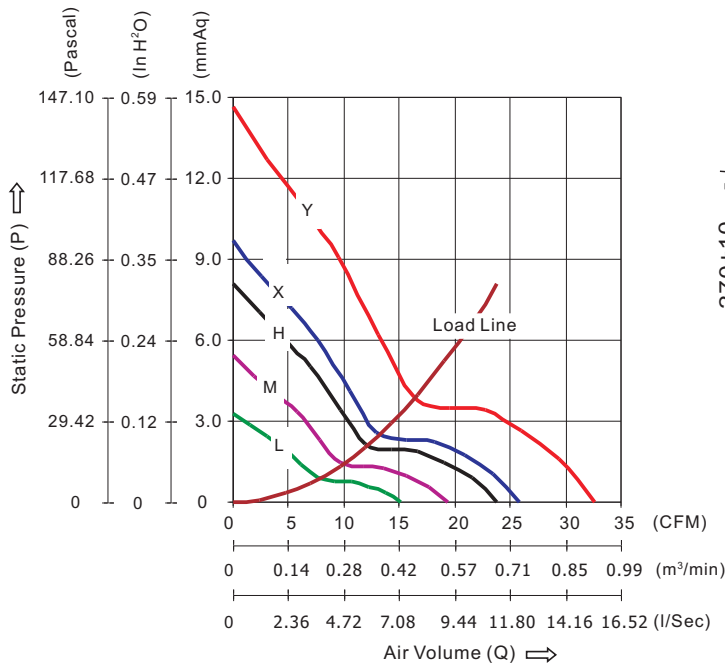


Available Features															
1a	1b	1c	2a	2b	2c	2d	3	4	5a	5b	6	7	8a	8b	8c
IR	AS	MS	FG	RD	Rdb	LD	SG/PWM	OV	TPWM	RPWM	CL	CS	VPWM	IPWM	PPWM
●	●		●	●	●	●	●	●	●	●	●	●	●	●	●

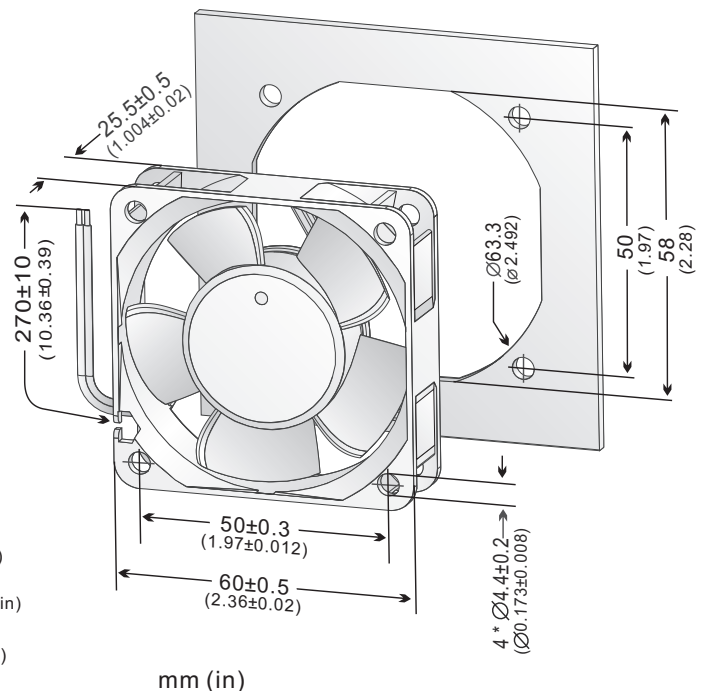
To add a desired feature to a fan, replace the Part Number suffix "x" with the available feature listed. (e.g. to add feature "2a" to fan Part Number D6025H24BPLBx-5, change the Part Number to D6025H24BPLB2a-5).

Part Number	Voltage (VDC)	Current (A)	Power (Watts)	Speed (RPM)	Air Flow (Q)		Pressure (P)		Noise (dBA)	Unit Weight (QTY/CTN)
					(CFM)	(m³/min)	(mmAq)	(in H ₂ O)		
D6025Y24BPLBx-5	24 (15~27)	0.184	4.43	7500	32.60	0.923	14.62	0.576	45.82	73.5g (224pcs)
D6025X24BPLBx-5		0.095	2.28	6000	25.83	0.731	9.66	0.380	40.02	
D6025H24BPLBx-5		0.080	1.92	5500	23.77	0.673	8.11	0.319	37.76	
D6025M24BPLBx-5		0.060	1.44	4500	19.34	0.548	5.41	0.213	32.62	
D6025L24BPLBx-5		0.031	0.74	3500	15.05	0.426	3.27	0.129	26.45	
D6025Y48BPLBx-5	48 (30~57)	0.088	4.20	7500	32.60	0.923	14.62	0.576	45.82	73.5g (224pcs)
D6025X48BPLBx-5		0.049	2.36	6000	25.83	0.731	9.66	0.380	40.02	
D6025H48BPLBx-5		0.041	1.96	5500	23.77	0.673	8.11	0.319	37.76	
D6025M48BPLBx-5		0.026	1.23	4500	19.34	0.548	5.41	0.213	32.62	
D6025L48BPLBx-5		0.018	0.84	3500	15.05	0.426	3.27	0.129	26.45	

PERFORMANCE CURVES



DIMENSIONAL DRAWING



- All fans listed refer to double ball bearing fans; sleeve bearing fans may consume about 10% more power for the same speed.
- Noise measurements are taken with a background noise of 16.8 dBA.
- Please see "Available Features Index" for a summary explanation of each feature
- Specifications are subject to change without notice.

Copyright 2009 Pelonis Technologies, Inc. All rights reserved.



sales@pelonistech.com • T888.546.0524 • F610.647.0319

6025-5

D08