

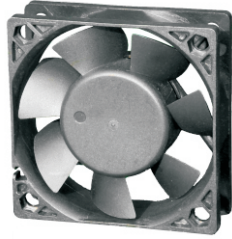
6020-7

60 x 60 x 20mm (2.36 x 2.36 x 0.79in)

DC Fans

www.pelonistech.com

HIGH EFFICIENCY SERIES



FRAME: Thermoplastic, PBT (30%), UL94-V0
IMPELLER: Thermoplastic PBT (GF 15%), UL94-V0
BEARING SYSTEM: Ball Bearing or Sleeve Bearing
OPERATING LIFE: Ball: 50,000 hrs; Sleeve: 30,000 hrs
OPERATING TEMP: -10°C to +70°C @35-85% RH

LEAD WIRE: UL 1007, AWG 24/280mm, Red(+), Black(-)
PROTECTION: Locked rotor protected for minimum 72 hours



- RoHS
- UL
- cUL
- CE

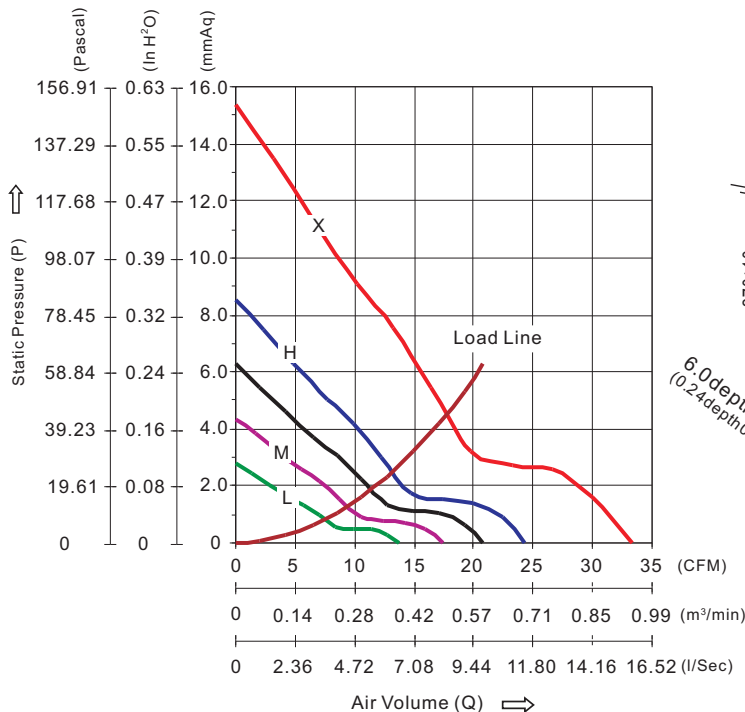
Available Features

1a IR	1b AS	1c MS	2a FG	2b RD	2c Rdb	2d LD	3 SG/PWM	4 OV	5a TPWM	5b RPWM	6 CL	7 CS	8a VPWM	8b IPWM	8c PPWM
●	●		●	●	●	●	●	●	●	●	●	●	●	●	

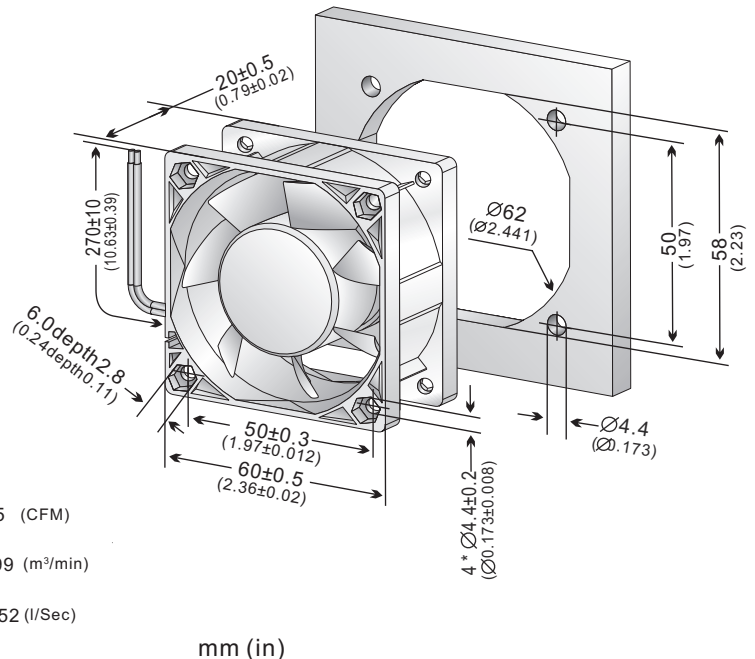
To add a desired feature to a fan, replace the Part Number suffix "x" with the available feature listed. (e.g. to add feature "2a" to fan Part Number D6020H24BPLBx-7, change the Part Number to D6020H24BPLB2a-7).

Part Number	Voltage (VDC)	Current (A)	Power (Watts)	Speed (RPM)	Air Flow (Q)		Pressure (P)		Noise (dBA)	Unit Weight (QTY/CTN)
					(CFM)	(m³/min)	(mmAq)	(in H ₂ O)		
D6020Z24BPLBx-7	24 (15~27)	0.207	4.97	7500	33.33	0.944	15.39	0.606	46.83	54g (240pcs)
D6020X24BPLBx-7		0.111	2.66	5600	24.30	0.688	8.53	0.336	39.16	
D6020H24BPLBx-7		0.068	1.64	4800	20.82	0.589	6.26	0.247	35.14	
D6020M24BPLBx-7		0.043	1.04	4000	17.36	0.492	4.36	0.172	30.37	
D6020L24BPLBx-7		0.022	0.53	3200	13.80	0.391	2.76	0.109	24.50	
D6020Z48BPLBx-7	48 (30~57)	0.122	5.86	7500	33.33	0.944	15.39	0.606	46.83	54g (240pcs)
D6020X48BPLBx-7		0.059	2.85	5600	24.30	0.688	8.53	0.336	39.16	
D6020H48BPLBx-7		0.041	1.95	4800	20.82	0.589	6.26	0.247	35.14	
D6020M48BPLBx-7		0.027	1.27	4000	17.36	0.492	4.36	0.172	30.37	
D6020L48BPLBx-7		0.016	0.76	3200	13.80	0.391	2.76	0.109	24.50	

PERFORMANCE CURVES



DIMENSIONAL DRAWING



- All fans listed refer to double ball bearing fans; sleeve bearing fans may consume about 10% more power for the same speed.
- Noise measurements are taken with a background noise of 16.8 dBA.
- Please see "Available Features Index" for a summary explanation of each feature
- Specifications are subject to change without notice.



sales@pelonistech.com • T888.546.0524 • F610.647.0319