

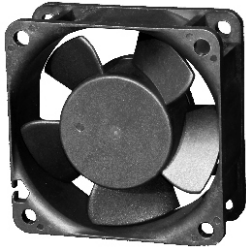
6025-5

60 x 60 x 25mm (2.36 x 2.36 x 0.98in)

DC Fans

www.pelonistech.com

STANDARD SERIES



FRAME: Thermoplastic, PBT (30%), UL94-V0
IMPELLER: Thermoplastic PBT (GF 15%), UL94-V0
BEARING SYSTEM: Ball Bearing or Sleeve Bearing
OPERATING LIFE: Ball: 50,000 hrs; Sleeve: 30,000 hrs
OPERATING TEMP: -10°C to +70°C @35-85% RH

LEAD WIRE: UL 1007, AWG 24/280mm, Red(+), Black(-)
PROTECTION: Locked rotor protected for minimum 72 hours



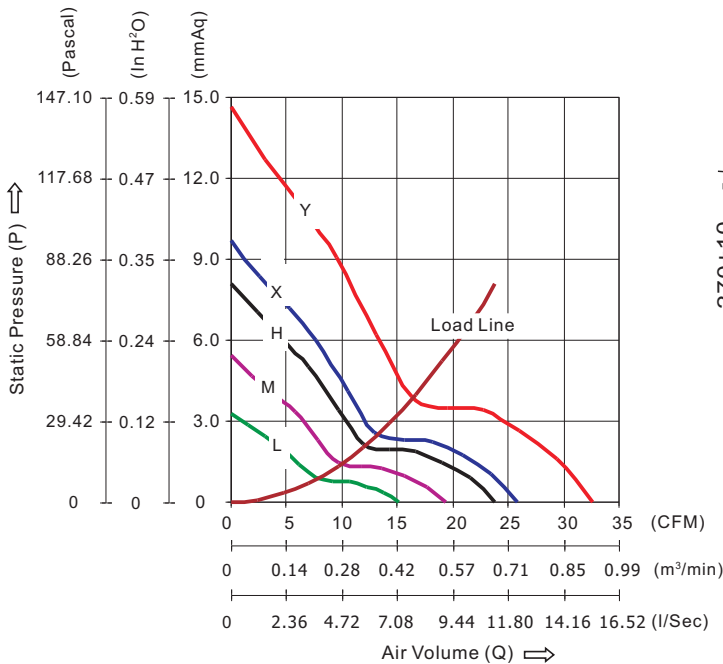
- RoHS
- UL
- cUL
- CE

| Available Features | | | | | | | | | | | | | | | |
|--------------------|----|----|----|----|-----|----|--------|----|------|------|----|----|------|------|------|
| 1a | 1b | 1c | 2a | 2b | 2c | 2d | 3 | 4 | 5a | 5b | 6 | 7 | 8a | 8b | 8c |
| IR | AS | MS | FG | RD | Rdb | LD | SG/PWM | OV | TPWM | RPWM | CL | CS | VPWM | IPWM | PPWM |
| ● | ● | | ● | ● | ● | | | | | | | | | | |

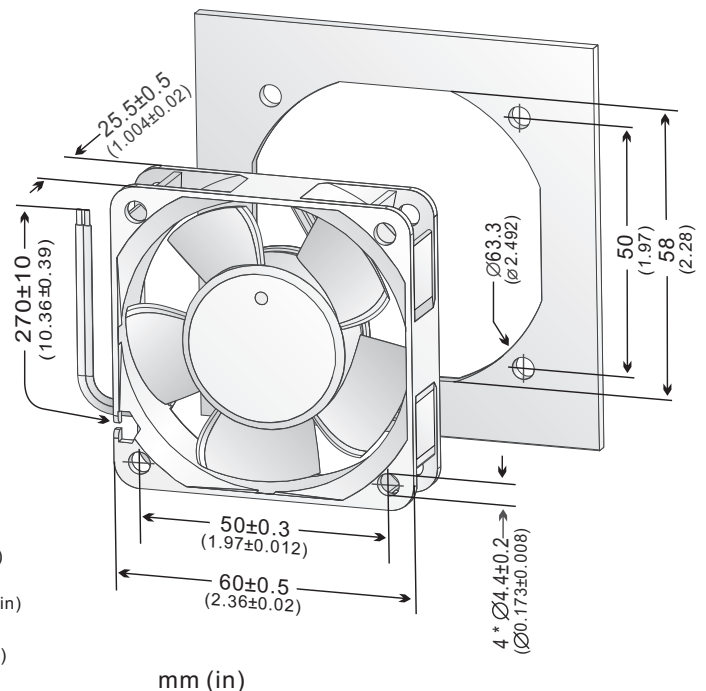
To add a desired feature to a fan, replace the Part Number suffix "x" with the available feature listed. (e.g. to add feature "2a" to fan Part Number C6025H12BPLBx-5, change the Part Number to C6025H12BPLB2a-5).

| Part Number | Voltage (VDC) | Current (A) | Power (Watts) | Speed (RPM) | Air Flow (Q) | | Pressure (P) | | Noise (dBA) | Unit Weight (QTY/CTN) |
|-----------------|---------------|-------------|---------------|-------------|--------------|----------|--------------|-----------------------|-------------|-----------------------|
| | | | | | (CFM) | (m³/min) | (mmAq) | (in H ₂ O) | | |
| C6025Y12BPLBx-5 | 12 (07~14) | 0.404 | 4.85 | 7500 | 32.60 | 0.923 | 14.62 | 0.576 | 45.82 | 73.5g (224pcs) |
| C6025X12BPLBx-5 | | 0.198 | 2.38 | 6000 | 25.83 | 0.731 | 9.66 | 0.380 | 40.02 | |
| C6025H12BPLBx-5 | | 0.180 | 2.16 | 5500 | 23.77 | 0.673 | 8.11 | 0.319 | 37.76 | |
| C6025M12BPLBx-5 | | 0.106 | 1.27 | 4500 | 19.34 | 0.548 | 5.41 | 0.213 | 32.62 | |
| C6025L12BPLBx-5 | | 0.074 | 0.88 | 3500 | 15.05 | 0.426 | 3.27 | 0.129 | 26.45 | |
| C6025Y24BPLBx-5 | 24 (15~27) | 0.185 | 4.43 | 7500 | 32.60 | 0.923 | 14.62 | 0.576 | 45.82 | 73.5g (224pcs) |
| C6025X24BPLBx-5 | | 0.106 | 2.54 | 6000 | 25.83 | 0.731 | 9.66 | 0.380 | 40.02 | |
| C6025H24BPLBx-5 | | 0.093 | 2.23 | 5500 | 23.77 | 0.673 | 8.11 | 0.319 | 37.76 | |
| C6025M24BPLBx-5 | | 0.059 | 1.42 | 4500 | 19.34 | 0.548 | 5.41 | 0.213 | 32.62 | |
| C6025L24BPLBx-5 | | 0.034 | 0.82 | 3500 | 15.05 | 0.426 | 3.27 | 0.129 | 26.45 | |

PERFORMANCE CURVES



DIMENSIONAL DRAWING



6025-5

- All fans listed refer to double ball bearing fans; sleeve bearing fans may consume about 10% more power for the same speed.
- Noise measurements are taken with a background noise of 16.8 dBA.
- Please see "Available Features Index" for a summary explanation of each feature
- Specifications are subject to change without notice.



sales@pelonistech.com • T888.546.0524 • F610.647.0319