

6010-11

60 x 60 x 10mm (2.36 x 2.36 x 0.39in)

DC Fans

www.pelonistech.com

STANDARD SERIES



FRAME: Thermoplastic, PBT (30%), UL94-V0
IMPELLER: Thermoplastic PBT (GF 15%), UL94-V0
BEARING SYSTEM: Ball Bearing or Sleeve Bearing
OPERATING LIFE: Ball: 50,000 hrs; Sleeve: 30,000 hrs
OPERATING TEMP: -10°C to +70°C @35-85% RH

LEAD WIRE: UL 1007, AWG 26/270mm, Red(+), Black(-)
PROTECTION: Locked rotor protected for minimum 72 hours



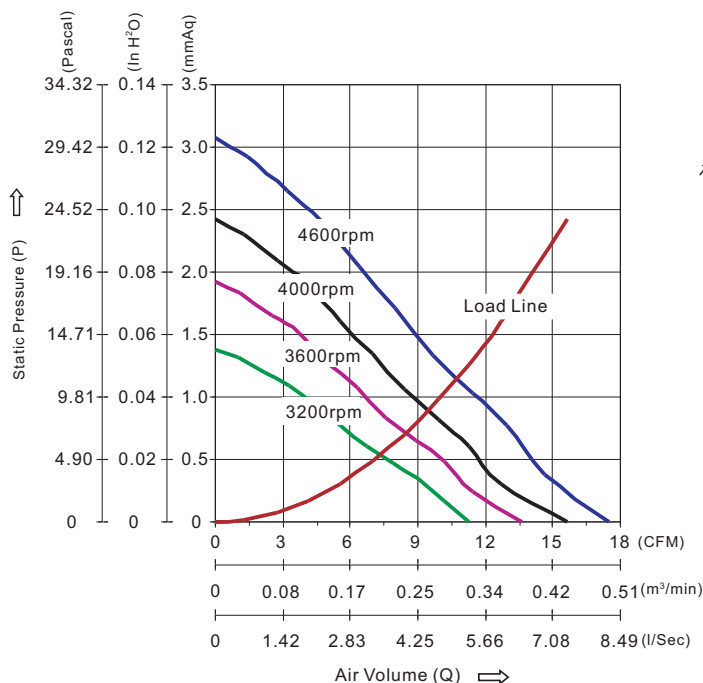
- RoHS
- UL
- cUL
- CE

Available Features															
1a	1b	1c	2a	2b	2c	2d	3	4	5a	5b	6	7	8a	8b	8c
IR	AS	MS	FG	RD	Rdb	LD	SG/PWM	OV	TPWM	RPWM	CL	CS	VPWM	IPWM	PPWM
	●		●	●	●										

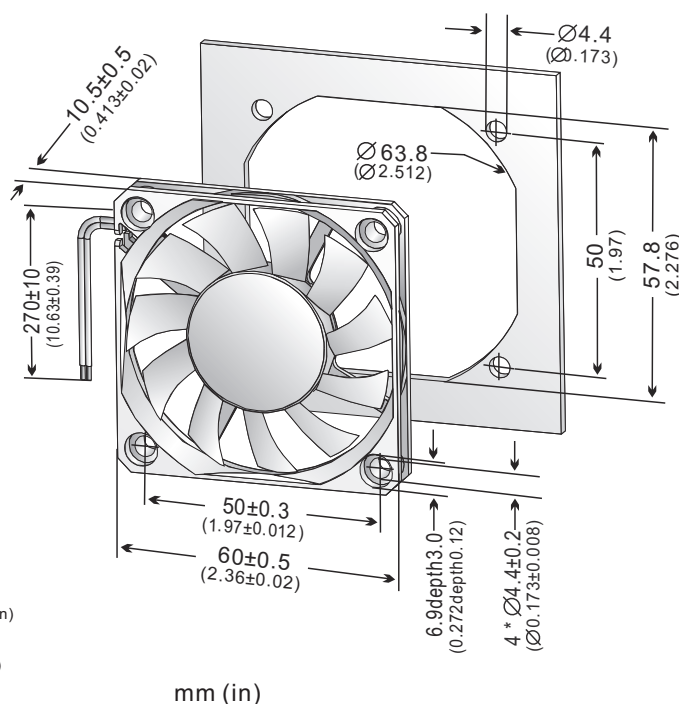
To add a desired feature to a fan, replace the Part Number suffix "x" with the available feature listed. (e.g. to add feature "2a" to fan Part Number C6010H05BPLBx-11, change the Part Number to C6010H05BPLB2a-11).

Part Number	Voltage (VDC)	Current (A)	Power (Watts)	Speed (RPM)	Air Flow (Q)		Pressure (P)		Noise (dBA)	Unit Weight (QTY/CTN)
					(CFM)	(m ³ /min)	(mmAq)	(in H ₂ O)		
C6010H05BPLBx-11	05 (04~06)	0.273	1.37	4000	15.64	0.443	2.43	0.096	32.07	29g (480pcs)
C6010M05BPLBx-11		0.191	0.96	3600	13.63	0.386	1.93	0.076	29.70	
C6010L05BPLBx-11		0.136	0.68	3200	11.25	0.318	1.38	0.054	24.91	
C6010H12BPLBx-11	12 (07~14)	0.209	2.51	4600	17.54	0.497	3.08	0.121	35.04	29g (480pcs)
C6010M12BPLBx-11		0.152	1.83	4000	15.64	0.443	2.43	0.096	32.07	
C6010L12BPLBx-11		0.134	1.61	3600	13.63	0.386	1.93	0.076	29.27	
C6010H24BPLBx-11	24 (15~27)	0.110	2.64	4600	17.54	0.497	3.08	0.121	35.04	29g (480pcs)
C6010M24BPLBx-11		0.084	2.02	4000	15.64	0.443	2.43	0.096	32.07	
C6010L24BPLBx-11		0.060	1.44	3600	13.63	0.386	1.93	0.076	29.27	

PERFORMANCE CURVES



DIMENSIONAL DRAWING



- All fans listed refer to double ball bearing fans; sleeve bearing fans may consume about 10% more power for the same speed.
- Noise measurements are taken with a background noise of 16.8 dBA.
- Please see "Available Features Index" for a summary explanation of each feature
- Specifications are subject to change without notice.



sales@pelonistech.com • T888.546.0524 • F610.647.0319

6010-11