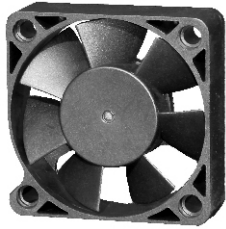


# 5015-7

50 x 50 x 15mm (1.97 x 1.97 x 0.57in)

# DC Fans

www.pelonistech.com



**FRAME:** Thermoplastic, PBT (30%), UL94-V0  
**IMPELLER:** Thermoplastic PBT (GF 15%), UL94-V0  
**BEARING SYSTEM:** Ball Bearing or Sleeve Bearing  
**OPERATING LIFE:** Ball: 50,000 hrs; Sleeve: 30,000 hrs  
**OPERATING TEMP:** -10°C to +70°C @35-85% RH

**LEAD WIRE:** UL 1007, AWG 26/270mm, Red(+), Black(-)  
**PROTECTION:** Locked rotor protected for minimum 72 hours



STANDARD SERIES

- RoHS
- UL
- cUL
- CE

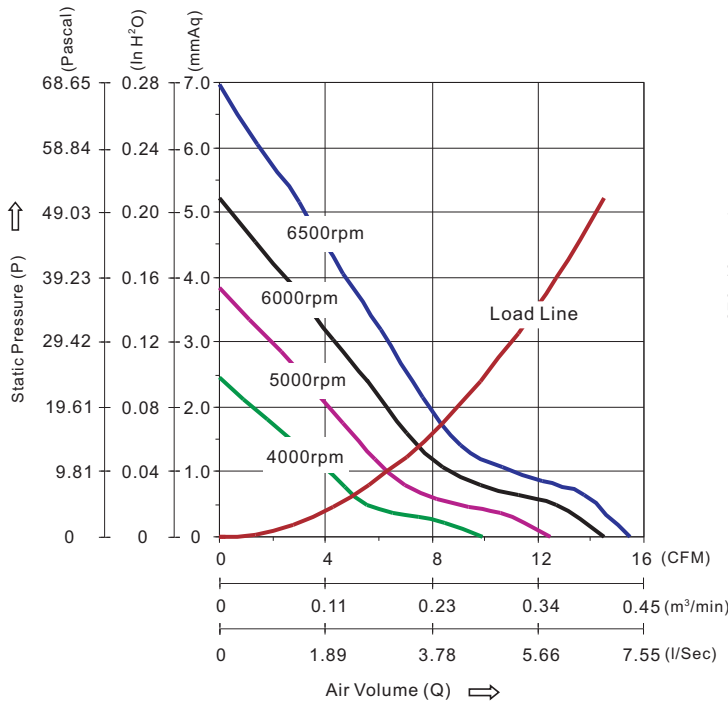
### Available Features

1a	1b	1c	2a	2b	2c	2d	3	4	5a	5b	6	7	8a	8b	8c
IR	AS	MS	FG	RD	Rdb	LD	SG/PWM	OV	TPWM	RPWM	CL	CS	VPWM	IPWM	PPWM
	●		●	●	●										

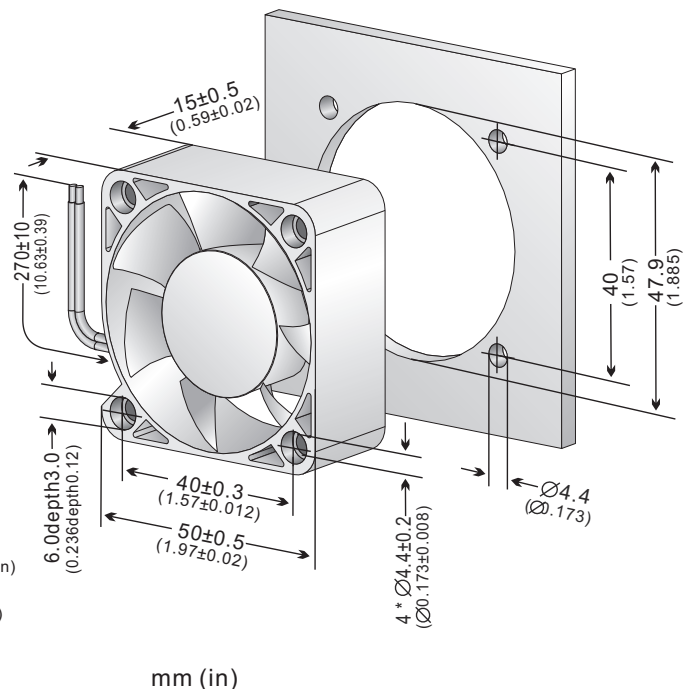
To add a desired feature to a fan, replace the Part Number suffix "x" with the available feature listed. (e.g. to add feature "2a" to fan Part Number C5015H05BPLBx-7, change the Part Number to C5015H05BPLB2a-7).

Part Number	Voltage (VDC)	Current (A)	Power (Watts)	Speed (RPM)	Air Flow (Q)		Pressure (P)		Noise (dBA)	Unit Weight (QTY/CTN)
					(CFM)	(m³/min)	(mmAq)	(in H <sub>2</sub> O)		
C5015H05BPLBx-7	05 (04~06)	0.292	1.46	6000	14.52	0.411	5.23	0.206	36.68	29.8g (480pcs)
C5015M05BPLBx-7		0.204	1.02	5000	12.46	0.353	3.85	0.151	31.52	
C5015L05BPLBx-7		0.120	0.60	4000	9.90	0.280	2.45	0.097	26.22	
C5015H12BPLBx-7	12 (07~14)	0.172	2.07	6500	15.46	0.438	6.96	0.274	38.82	29.8g (480pcs)
C5015M12BPLBx-7		0.083	1.10	5000	12.46	0.353	3.85	0.151	31.52	
C5015L12BPLBx-7		0.062	0.74	4000	9.90	0.280	2.45	0.097	26.22	
C5015H24BPLBx-7	24 (15~27)	0.092	2.20	6500	15.46	0.438	6.96	0.274	38.82	29.8g (480pcs)
C5015M24BPLBx-7		0.068	1.64	5000	12.46	0.353	3.85	0.151	31.52	

### PERFORMANCE CURVES



### DIMENSIONAL DRAWING



5015-7

- All fans listed refer to double ball bearing fans; sleeve bearing fans may consume about 10% more power for the same speed.
- Noise measurements are taken with a background noise of 16.8 dBA.
- Please see "Available Features Index" for a summary explanation of each feature
- Specifications are subject to change without notice.



sales@pelonistech.com • T888.546.0524 • F610.647.0319