

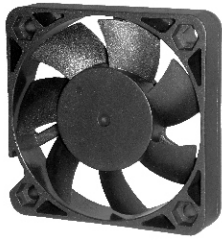
# 5010-7

50 x 50 x 10mm (1.97 x 1.97 x 0.39in)

# DC Fans

www.pelonistech.com

STANDARD SERIES



**FRAME:** Thermoplastic, PBT (30%), UL94-V0  
**IMPELLER:** Thermoplastic PBT (GF 15%), UL94-V0  
**BEARING SYSTEM:** Ball Bearing or Sleeve Bearing  
**OPERATING LIFE:** Ball: 50,000 hrs; Sleeve: 30,000 hrs  
**OPERATING TEMP:** -10°C to +70°C @35-85% RH

**LEAD WIRE:** UL 1007, AWG 26/270mm, Red(+), Black(-)  
**PROTECTION:** Locked rotor protected for minimum 72 hours



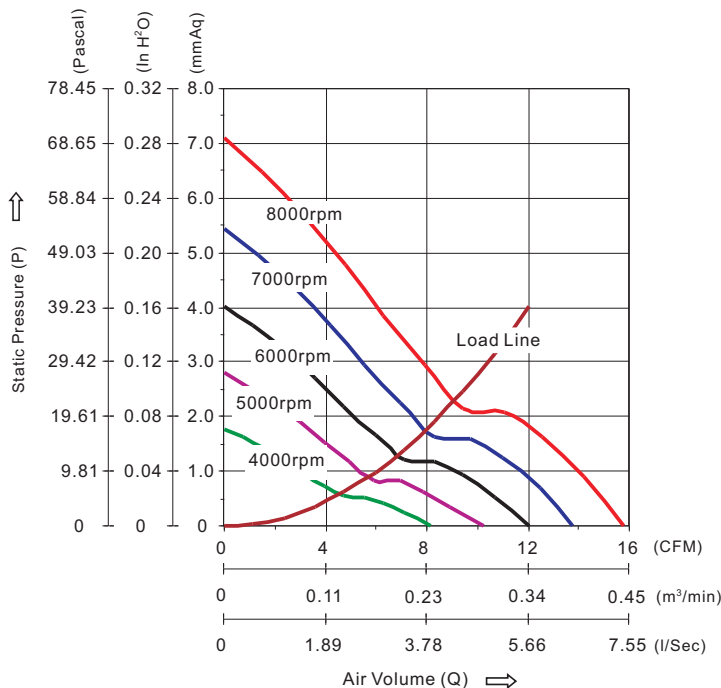
- RoHS
- UL
- cUL
- CE

Available Features															
1a	1b	1c	2a	2b	2c	2d	3	4	5a	5b	6	7	8a	8b	8c
IR	AS	MS	FG	RD	Rdb	LD	SG/PWM	OV	TPWM	RPWM	CL	CS	VPWM	IPWM	PPWM
	●		●	●	●										

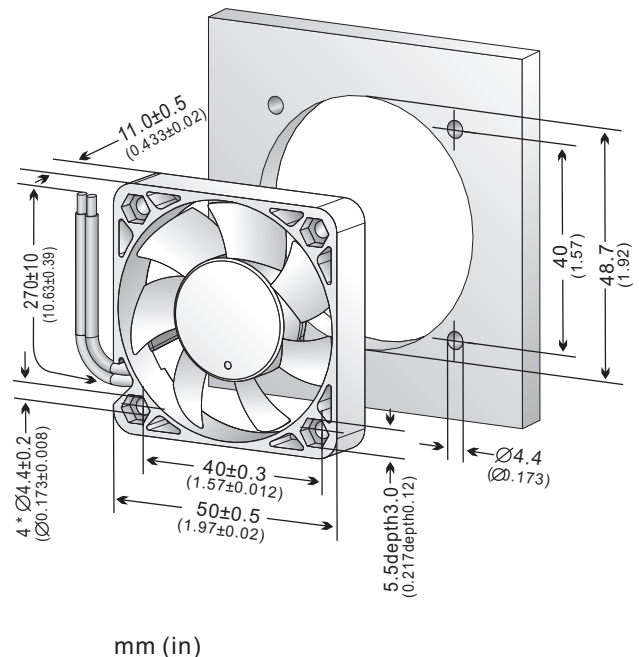
To add a desired feature to a fan, replace the Part Number suffix "x" with the available feature listed. (e.g. to add feature "2a" to fan Part Number C5010H12BPLBx-7, change the Part Number to C5010H12BPLB2a-7).

Part Number	Voltage (VDC)	Current (A)	Power (Watts)	Speed (RPM)	Air Flow (Q)		Pressure (P)		Noise (dBA)	Unit Weight (QTY/CTN)
					(CFM)	(m³/min)	(mmAq)	(in H <sub>2</sub> O)		
C5010H05BPLBx-7	05 (04~06)	0.212	1.06	6000	12.02	0.340	4.01	0.158	33.15	20.6g (800pcs)
C5010M05BPLBx-7		0.136	0.68	5000	10.22	0.289	2.79	0.110	30.10	
C5010L05BPLBx-7		0.086	0.43	4000	8.13	0.230	1.78	0.070	25.85	
C5010H12BPLBx-7	12 (07~14)	0.121	1.46	6000	12.02	0.340	4.01	0.158	33.15	20.6g (800pcs)
C5010M12BPLBx-7		0.087	1.04	5000	10.22	0.289	2.79	0.110	30.10	
C5010L12BPLBx-7		0.044	0.53	4000	8.13	0.230	1.78	0.070	25.85	
C5010H24BPLBx-7	24 (15~27)	0.103	2.47	8000	15.74	0.446	7.09	0.279	40.11	20.6g (800pcs)
C5010M24BPLBx-7		0.080	1.92	7000	13.77	0.390	5.42	0.214	36.65	
C5010L24BPLBx-7		0.060	1.44	6000	12.02	0.340	4.01	0.158	33.15	

## PERFORMANCE CURVES



## DIMENSIONAL DRAWING



- All fans listed refer to double ball bearing fans; sleeve bearing fans may consume about 10% more power for the same speed.
- Noise measurements are taken with a background noise of 16.8 dBA.
- Please see "Available Features Index" for a summary explanation of each feature
- Specifications are subject to change without notice.



sales@pelonistech.com • T888.546.0524 • F610.647.0319

5010-7