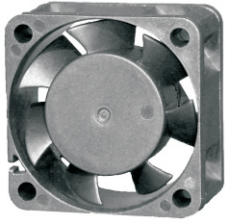


4020-7

40 x 40 x 20mm (1.57 x 1.57 x 0.79in)

DC Fans

www.pelonistechnologies.com



FRAME: Thermoplastic, PBT (30%), UL94-V0
IMPELLER: Thermoplastic PBT (GF 15%), UL94-V0
BEARING SYSTEM: Ball Bearing or Sleeve Bearing
OPERATING LIFE: Ball: 50,000 hrs; Sleeve: 30,000 hrs
OPERATING TEMP: -10°C to +70°C @35-85% RH

LEAD WIRE: UL 1007, AWG 26/280mm, Red(+), Black(-)
PROTECTION: Locked rotor protected for minimum 72 hours



STANDARD SERIES

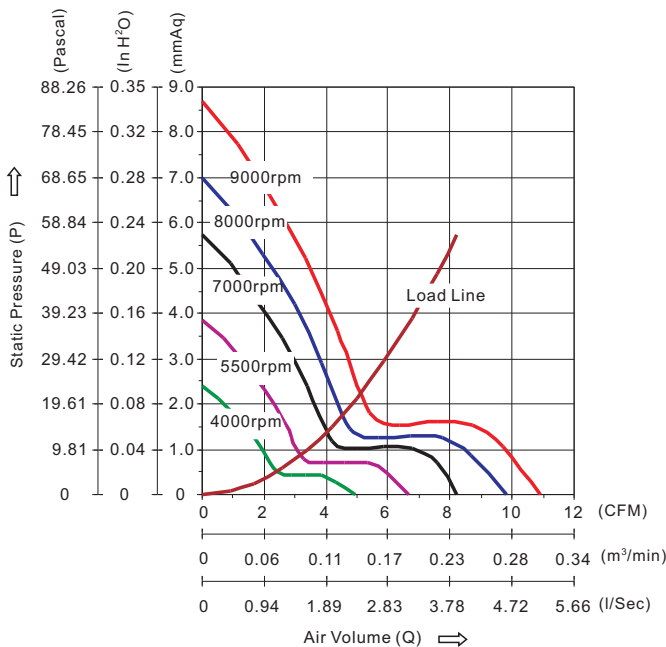
- RoHS
- UL
- cUL
- CE

Available Features														8c PPWM	
1a IR	1b AS	1c MS	2a FG	2b RD	2c Rdb	2d LD	3 SG/PWM	4 OV	5a TPWM	5b RPWM	6 CL	7 CS	8a VPWM		8b IPWM
●	●		●	●	●	●	●		●	●	●	●	●	●	0 to 5V

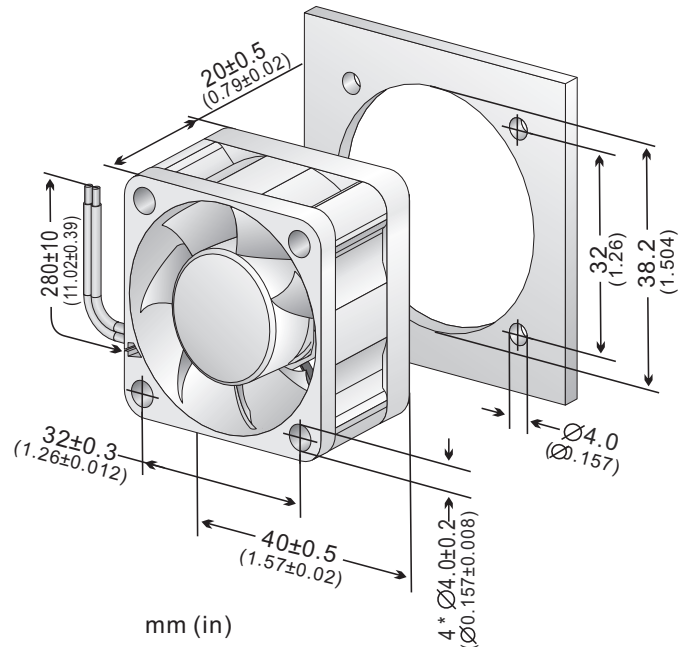
To add a desired feature to a fan, replace the Part Number suffix "x" with the available feature listed. (e.g. to add feature "2a" to fan Part Number C4020H05BPLBx-7, change the Part Number to C4020H05BPLB2a-7).

Part Number	Voltage (VDC)	Current (A)	Power (Watts)	Speed (RPM)	Air Flow (Q)		Pressure (P)		Noise (dBA)	Unit Weight (QTY/CTN)
					(CFM)	(m³/min)	(mmAq)	(in H ₂ O)		
C4020H05BPLBx-7	05 (04~06)	0.260	1.30	7000	8.21	0.233	5.74	0.226	32.38	31.6g (600pcs)
C4020M05BPLBx-7		0.126	0.63	5500	6.64	0.188	3.87	0.152	27.14	
C4020L05BPLBx-7		0.083	0.41	4000	4.92	0.139	2.40	0.094	20.78	
C4020Y12BPLBx-7	12 (07~14)	0.165	1.98	9000	10.88	0.308	8.68	0.342	39.18	31.6g (600pcs)
C4020X12BPLBx-7		0.140	1.67	8000	9.81	0.278	6.98	0.275	36.27	
C4020H12BPLBx-7		0.104	1.25	7000	8.21	0.233	5.74	0.226	32.38	
C4020M12BPLBx-7		0.063	0.75	5500	6.64	0.188	3.87	0.152	27.14	
C4020L12BPLBx-7		0.036	0.44	4000	4.92	0.139	2.40	0.094	20.78	
C4020Y24BPLBx-7	24 (15~27)	0.084	2.02	9000	10.88	0.308	8.68	0.342	39.18	31.6g (600pcs)
C4020X24BPLBx-7		0.069	1.67	8000	9.81	0.278	6.98	0.275	36.27	
C4020H24BPLBx-7		0.054	1.29	7000	8.21	0.233	5.74	0.226	32.38	

PERFORMANCE CURVES



DIMENSIONAL DRAWING



- All fans listed refer to double ball bearing fans; sleeve bearing fans may consume about 10% more power for the same speed.
- Noise measurements are taken with a background noise of 16.8 dBA.
- Please see "Available Features Index" for a summary explanation of each feature
- Specifications are subject to change without notice.



sales@pelonistech.com • T888.546.0524 • F610.647.0319